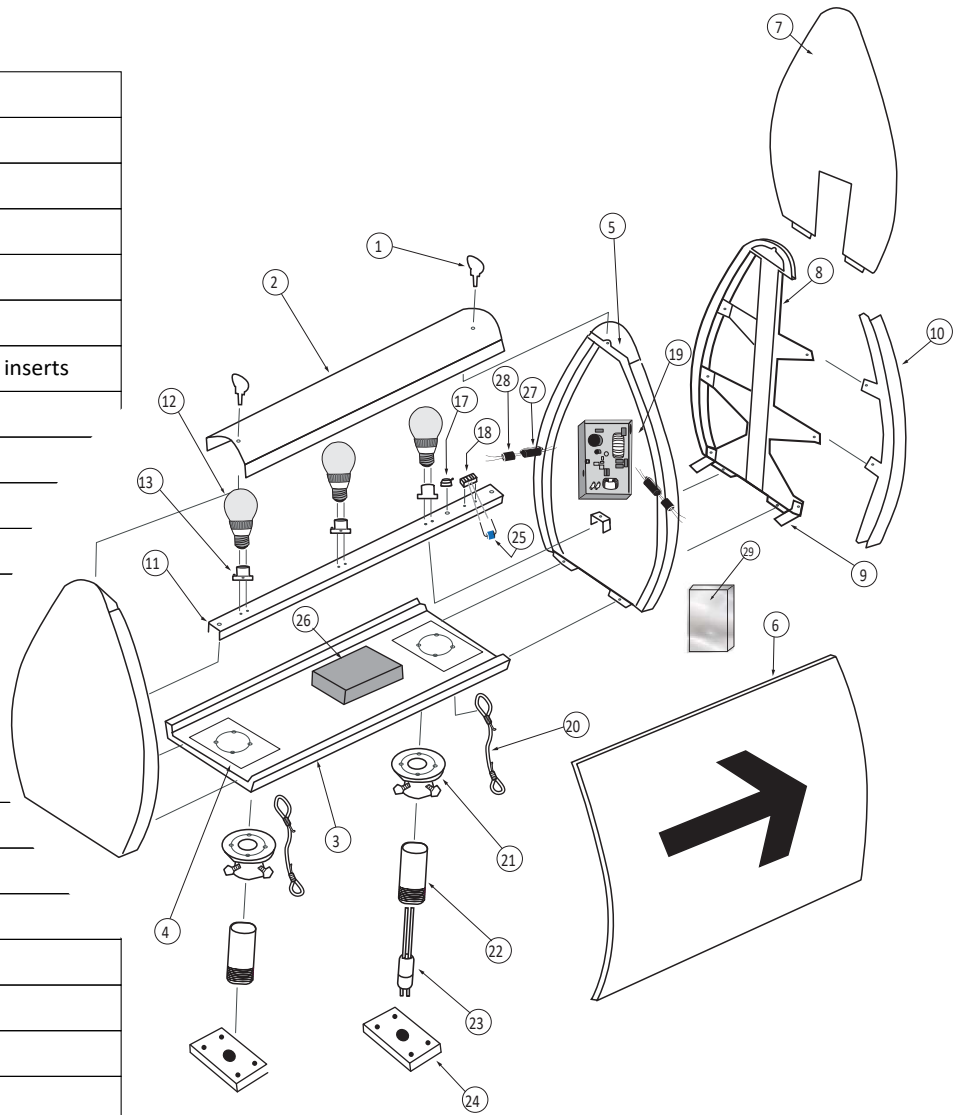


ITEM	DESCRIPTION
1. 340/345	Turn fastener/retainer
2. L2-C	Performance Top
3. LCLT-3*	Base
4. L3-AP	Aluminum plate
5. LCLT-4C	End panel
6. LCLT-5*	Legend panel
7. L5-PS	Full length panel spacer inserts
8. LCLT-6C	Multi-module insert
9. L6-AB	Aluminum bracket
10. L7-A	Face insert channel
11. L8-A	Light bar
12. LED LAMP	FAA 442
13. 500	Medium screw socket
17. 480	Cable clamp
18. 420	Terminal strip
19. L610	LED PCB controller
20. 190 - 3/16" assembly	Tether
21. 130-HD	Slip-fitter
22. 140-HD	6" Frangible coupling
23. 430	Cord & plug
24. 15-HD	Floor flange
25. E416	Surge protector
26. Filter	ALD low pass filter
27. Ferrite A	Ferrite core split (2 per sign)
28. Ferrite B	Ferrite core not split (3 per sign)
29. G EMI shield screen	Controller screen



*Must indicate Mode 3 when ordering.

To help in placing your order:

*Specify one of the following sign types for panel purchase:

L-858Y ("Y"ellow), L-858R ("R"ed), L-858L ("L"ocation), or Blank/ Black

**Specify one of the following track colors:

(B) Black, (Y) Yellow or (R) Red