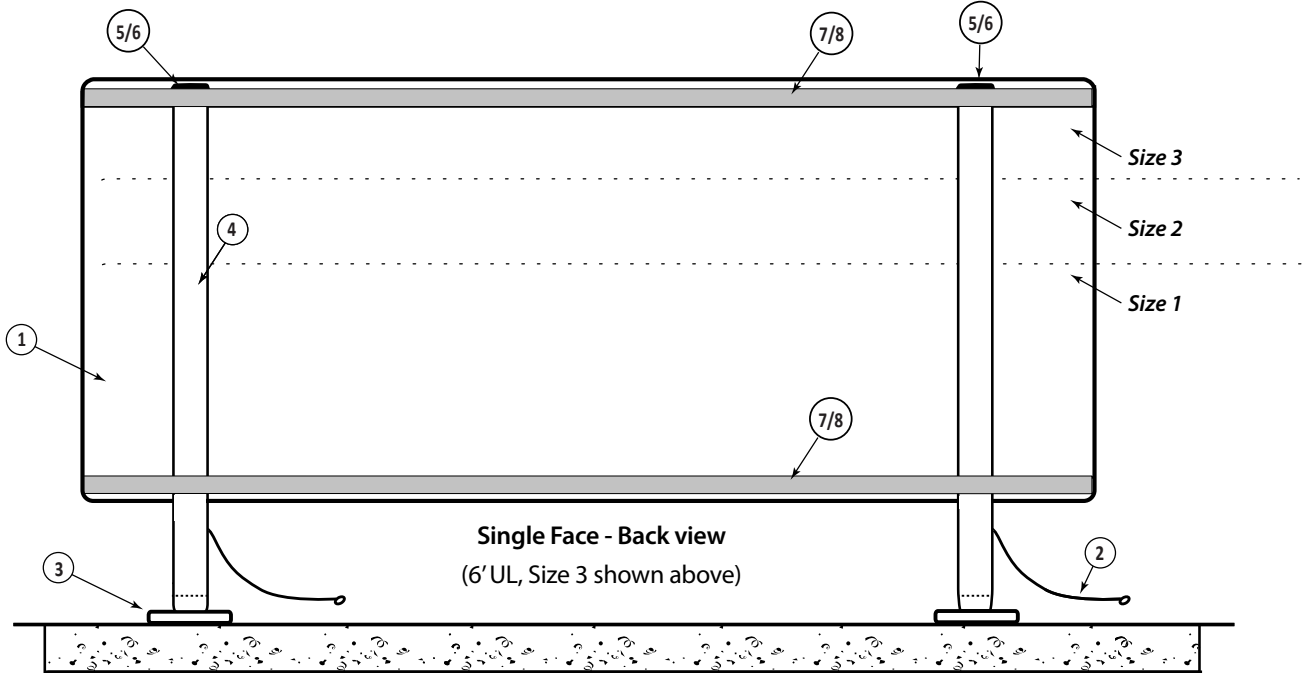




Certified to current FAA Advisory Circular 150/5345-44, UL Series  
View our Certificate of Conformance

# UNLIGHTED GUIDANCE SIGN

## Parts List



### Item

1. See Chart B

2. 190-3/16" Assembly

3. 15

4. See Chart A

5. UL PLUG 40

6. UL PLUG 80

7. UL-CS-4

8. UL-CS-6

### Description

Panel

Tether

Floor Flange

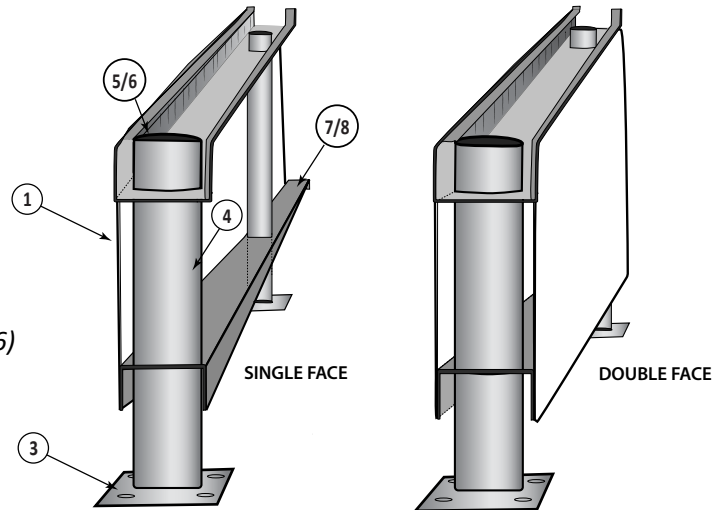
UL Frangible Column

Plug for SCH 40 UL Column

Plug for SCH 80 UL Column (only LUL-6)

Unlit Cross Support 4ft

Unlit Cross Support 6ft



### CHART A Frangible Column:

ULFC-S1-4	Unlit Frangible Column Small 4ft x 24in
ULFC-S1-6	Unlit Frangible Column Small 6ft x 24in
ULFC-S2-4	Unlit Frangible Column Medium 4ft x 30in
ULFC-S2-6	Unlit Frangible Column Medium 6ft x 30in
ULFC-S3-4	Unlit Frangible Column Large 4ft x 36in
ULFC-S3-6	Unlit Frangible Column Large 6ft x 36in

### CHART B Panel Info:

PART	# ITEM DESCRIPTION
ULRP-1-4	Unlit Replacement Panel Small 4ft x 18in
ULRP-1-6	Unlit Replacement Panel Small 6ft x 18in
ULRP-2-4	Unlit Replacement Panel Medium 4ft x 24in
ULRP-2-6	Unlit Replacement Panel Medium 6ft x 24in
ULRP-3-4	Unlit Replacement Panel Large 4ft x 30in
ULRP-3-6	Unlit Replacement Panel Large 6ft x 30in

### LUMACURVE AIRFIELD SIGNS

9115 Freeway Dr., Macedonia, OH 44056  
800-258-1997 www.lumacurve.com