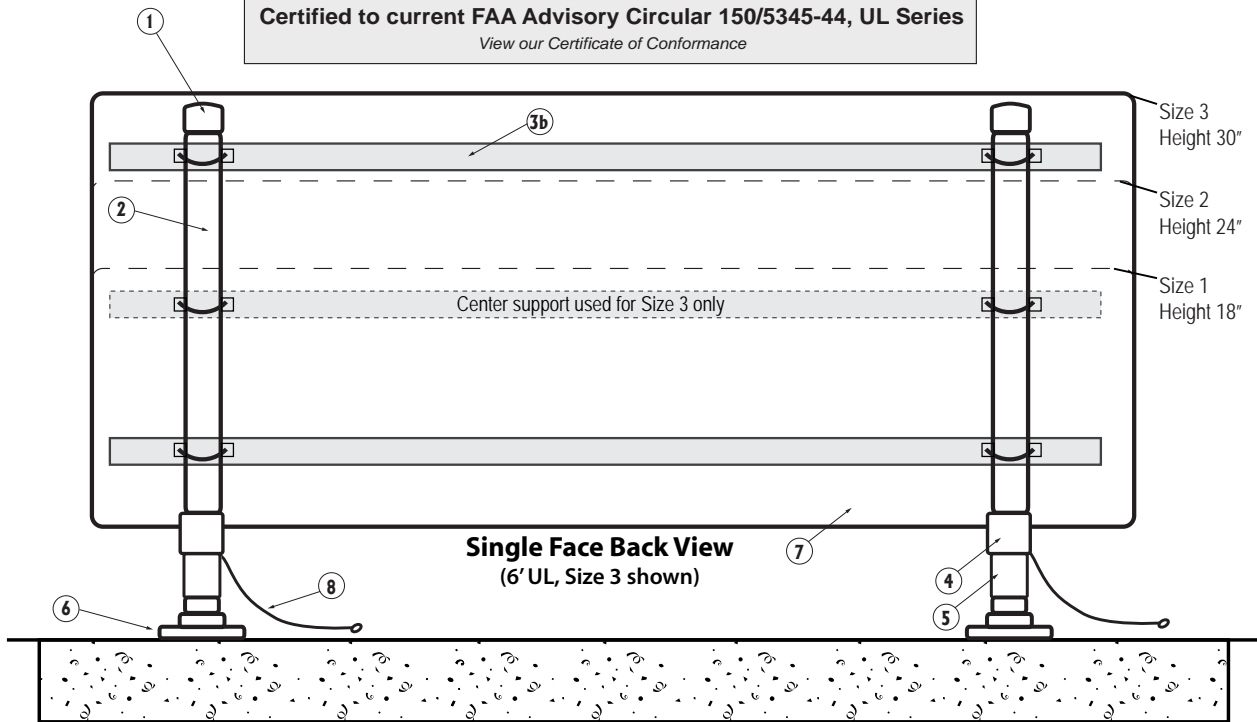


# LUMACURVE PARTS LIST

## Unlighted Guidance Sign

Certified to current FAA Advisory Circular 150/5345-44, UL Series  
View our Certificate of Conformance



| Item                    | Description                         |
|-------------------------|-------------------------------------|
| 1. DCLT-1A              | Leg Cap                             |
| 2. UL Column            | See Chart A                         |
| 3a. RT44                | 44" UL Rectangular Tubing, 4' signs |
| 3b. RT68                | 68" UL Rectangular Tubing, 6' signs |
| 4. 2" Aluminum Coupling | 2" Aluminum Coupling                |
| 5. 140                  | Frangible Coupling                  |
| 5a. 140B*               | Frangible Coupling*                 |
| 6. 15                   | Floor Flange                        |
| 7. Panel                | See Chart B                         |
| 8. 190 - 3/16"          | Tether                              |
| 9. RTP                  | Tubing end plug (not shown)         |
| 10. SN38                | Serrated nut (hidden inside tube)   |

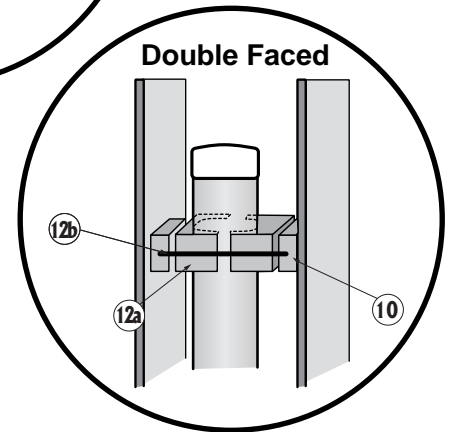
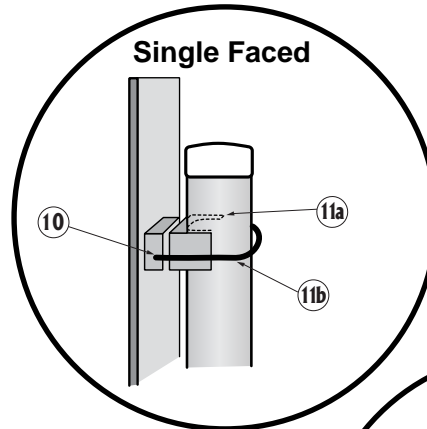
**Single Face Signs Only**

|            |                |
|------------|----------------|
| 11a. SB214 | Saddle Bracket |
| 11b. UB1   | U-Bolt         |

**Double Face Signs Only**

|             |                      |
|-------------|----------------------|
| 12a. SB214S | Short Saddle Bracket |
| 12b. SB38   | Straight Bolt        |

\*Used on LUL-6' only.



**CHART A**

**UL Column:**

|        |                            |
|--------|----------------------------|
| Size 1 | 4ft SCH 40 length = 16.25" |
| Size 1 | 6ft SCH 40 length = 16.25" |
| Size 2 | 4ft SCH 40 length = 20.75" |
| Size 2 | 6ft SCH 40 length = 20.75" |
| Size 3 | 4ft SCH 40 length = 26.75" |
| Size 3 | 6ft SCH 80 length = 26.75" |

**CHART B**

**Panel Sizes**

**Item Description**

|         |                             |
|---------|-----------------------------|
| SXL4-20 | Size 1, 4' Panel, 18" x 48" |
| SXL6-20 | Size 1, 6' Panel, 18" x 72" |
| MXL4-20 | Size 2, 4' Panel, 24" x 48" |
| MXL6-20 | Size 2, 6' Panel, 24" x 72" |
| LXL4-20 | Size 3, 4' Panel, 30" x 48" |
| LXL6-20 | Size 3, 6' Panel, 30" x 72" |

**STANDARD SIGNS, INC.**

9115 Freeway Drive, Macedonia, OH 44056

Phone: 800.258.1997 / 330.467.2030 Fax: 330.467.2076 www.lumacurve.com

Copyright 2014 by STANDARD SIGNS, INC. ALL RIGHT RESERVED.