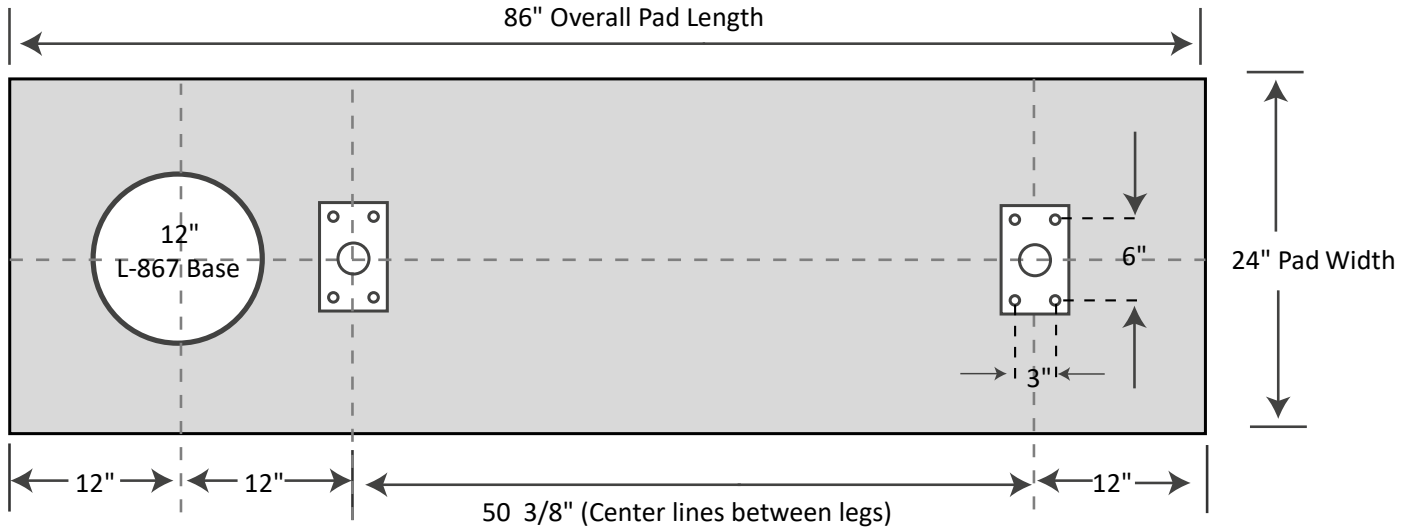
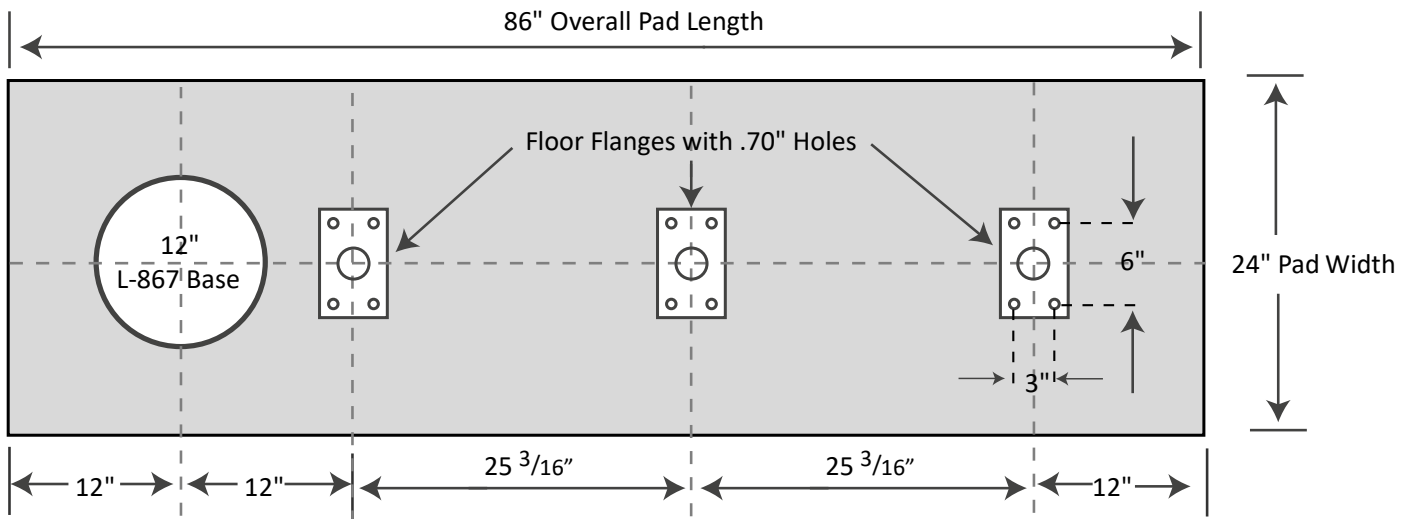


MODE 2



Use 5/8" diameter anchor bolts for mounting to pad
When setting bolts, allow for approximately 3/4" flange thickness.

MODE 3



Use 5/8" diameter anchor bolts for mounting to pad
When setting bolts, allow for approximately 3/4" flange thickness.