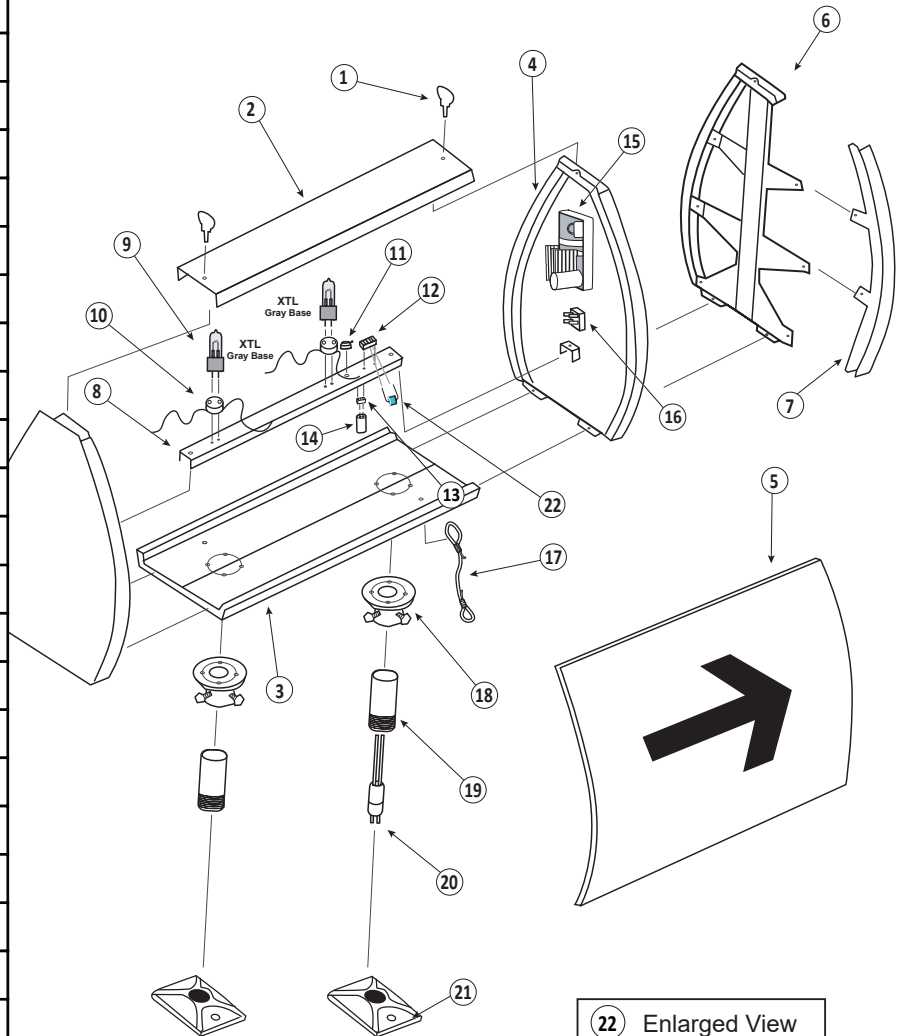




To order parts, or have questions, call **800-258-1997**.

View reference documents, visit [www.lumacurve.com/documents](http://www.lumacurve.com/documents)

ITEM	DESCRIPTION
1.	340/345 Turn Fastener/Retainer
2.	*CLT-2 Cover
3.	*CLT-3 Base
4.	*CLT-4 End Panel
5.	*CLT-5 Legend Panel <sup>1</sup>
6.	*CLT-6 Multi-Module Insert (Tree)
7.	*7-B Face Insert Channel <sup>2</sup> (Track)
8.	*8-A Light Bar
9.	XTL Quartz XTL 10V/20W Quartz Lamp
10.	E400A Lampholder
11.	480 Cable Clamp
12.	420 Terminal Strip
13.	420 Terminal Strip (Section)
14.	E611 Capacitor for E610 (2 required)
15.	E610 PCB Controller, 75 Volt (1-8 lamps)
16.	E540 Bridge Rectifier 35A/1000V
17.	190 - 3/16" Tether
18.	130PH Slipfitter
19.	140-S*M2 6" Frangible Coupling
20.	430 Cord & Plug
21.	15 Floor Flange
22.	E416 Surge Protector



One lamp systems only require:

E550 Resistor 3 OHM 25w (and mounting brackets)

To help in placing your order:

- \* Prefix part number with one of the following sign sizes:  
 "S" (Small/Size 1), "M" (Medium/Size 2), "L" (Large/Size 3)
- 1 Specify one of the following sign types:  
 L-858Y ("Y"ellow), L-858R ("R"ed), L-858L ("L"ocation), or Blank/ Black
- 2 Specify one of the following track colors:  
 (B) Black, (Y) Yellow or (R) Red