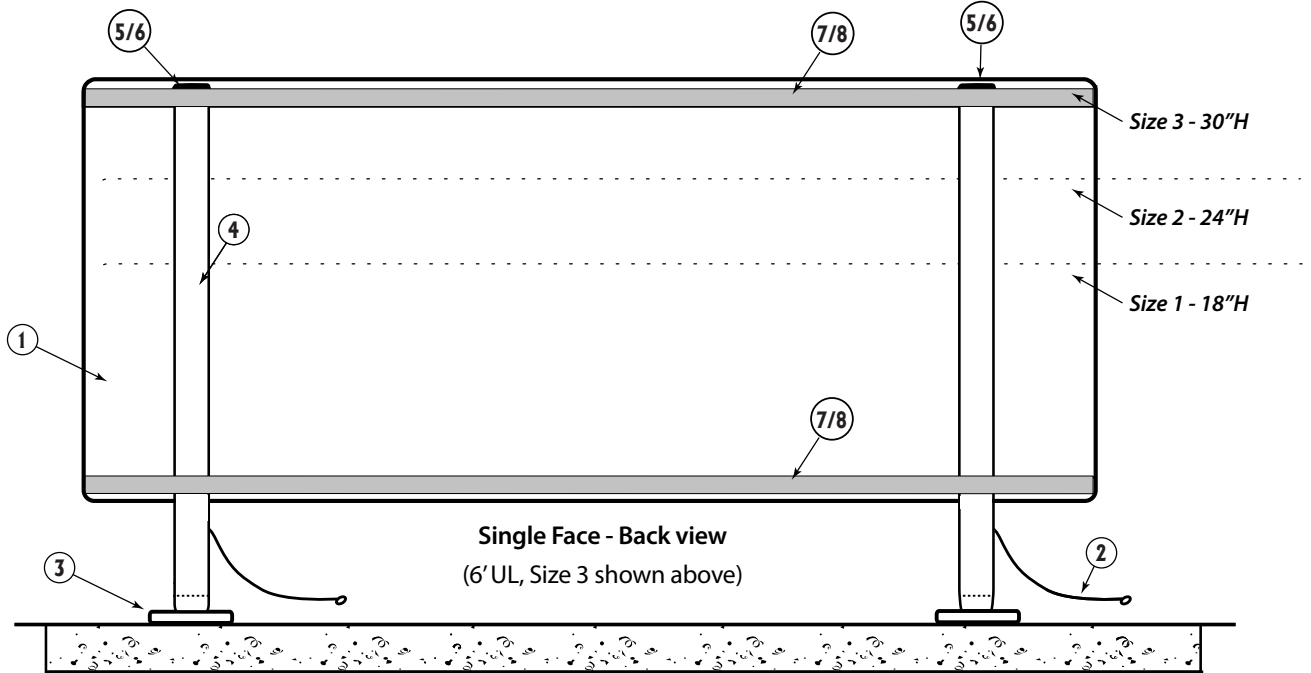




Certified to current FAA Advisory Circular 150/5345-44, UL Series
View our Certificate of Conformance

UNLIGHTED GUIDANCE SIGN

Parts List



Item	Description
1. See Chart B	Panel
2. 190-3/16" Assembly	Tether
3. 15	Floor Flange
4. See Chart A	UL Frangible Column
5. UL PLUG 40	Plug for SCH 40 UL Column
6. UL PLUG 80	Plug for SCH 80 UL Column (only LUL-6)
7. UL-CS-4	Unlit Cross Support 4ft
8. UL-CS-6	Unlit Cross Support 6ft

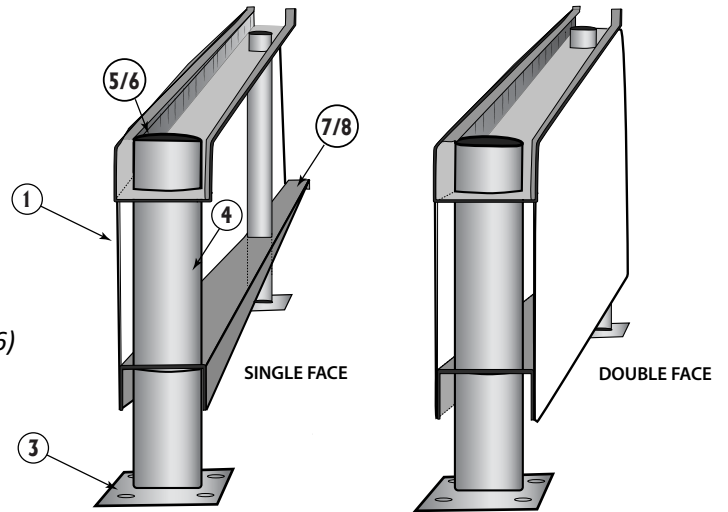


CHART A Frangible Column:	
ULFC-S1-4	Unlit Frangible Column Small 4ft
ULFC-S1-6	Unlit Frangible Column Small 6ft
ULFC-S2-4	Unlit Frangible Column Medium 4ft
ULFC-S2-6	Unlit Frangible Column Medium 6ft
ULFC-S3-4	Unlit Frangible Column Large 4ft
ULFC-S3-6	Unlit Frangible Column Large 6ft

CHART B Panel Info:	
PART #	ITEM DESCRIPTION
ULRP-1-4	Unlit Replacement Panel Small 4ft
ULRP-1-6	Unlit Replacement Panel Small 6ft
ULRP-2-4	Unlit Replacement Panel Medium 4ft
ULRP-2-6	Unlit Replacement Panel Medium 6ft
ULRP-3-4	Unlit Replacement Panel Large 4ft
ULRP-3-6	Unlit Replacement Panel Large 6ft