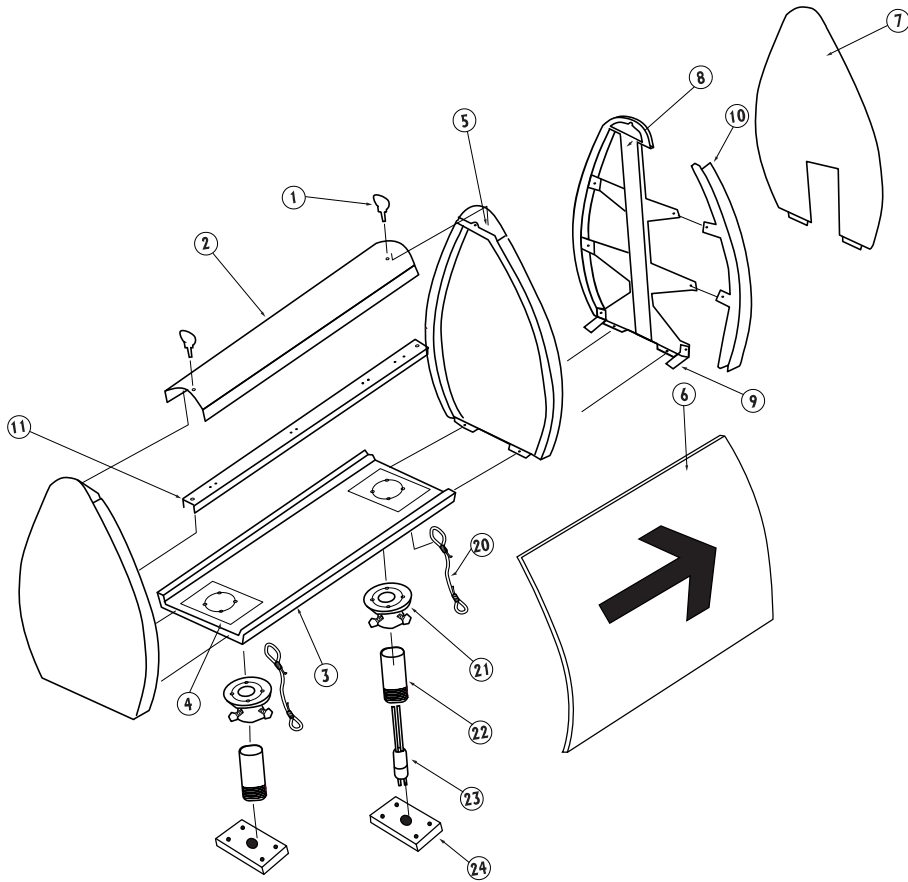




SIZE 3 SIGN, MODE 3

Parts List



Item	Description
1.	340/345 Turn Fastener/Retainer
2.	L2-C Performance Top
3.	LCLT-3* Base
4.	L3-AP Aluminum Plate (2 per base)
5.	LCLT-4C Curved Top End Panel
6.	LCLT-5* Legend Panel
7.	L5-PS Full Length Panel Spacers Inserts
8.	LCLT-6C Multi-Module Insert (Tree)
9.	L6-AB Aluminum Bracket (4 per tree)
10.	L7-B-** Face Insert Channel
1.	L8-A Light Bar
20.	190-3/16" assm Tether (2 per module)
21.	130-HD Slip-fitter
22.	140-S3M3 6" Frangible Coupling
23.	430 Cord & Plug
24.	15-XHDT 5" x 8" Aluminum Floor Flange

* Must indicate Mode 3 when ordering

** Replace with color track needed

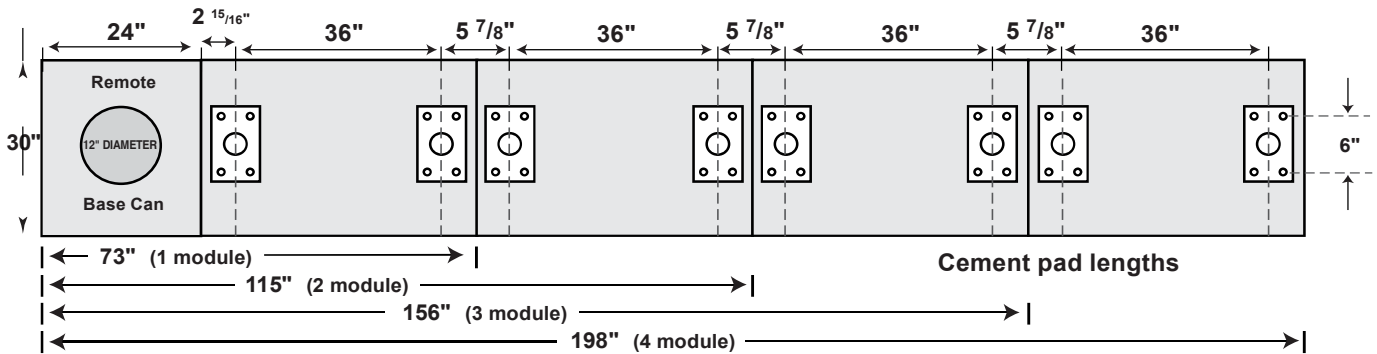
Must indicate number of modules when ordering

MODE 3 INSTALLATION

SIZE Large - FAA SIZE 3&5 (18" LETTERS)

Mounting hole center lines

(Outer Mount Only)



Above references recommended cement pad dimensions and mounting bolt locations for Lumacurve signs

Recommended concrete thickness : 6"-8"

Recommended anchor bolts: Size 1 & 2: 1/2" x 5" - Size 3 & 5: 5/8" x 5"

LUMACURVE AIRFIELD SIGNS

9115 Freeway Dr., Macedonia, OH 44056
 800-258-1997 www.lumacurve.com