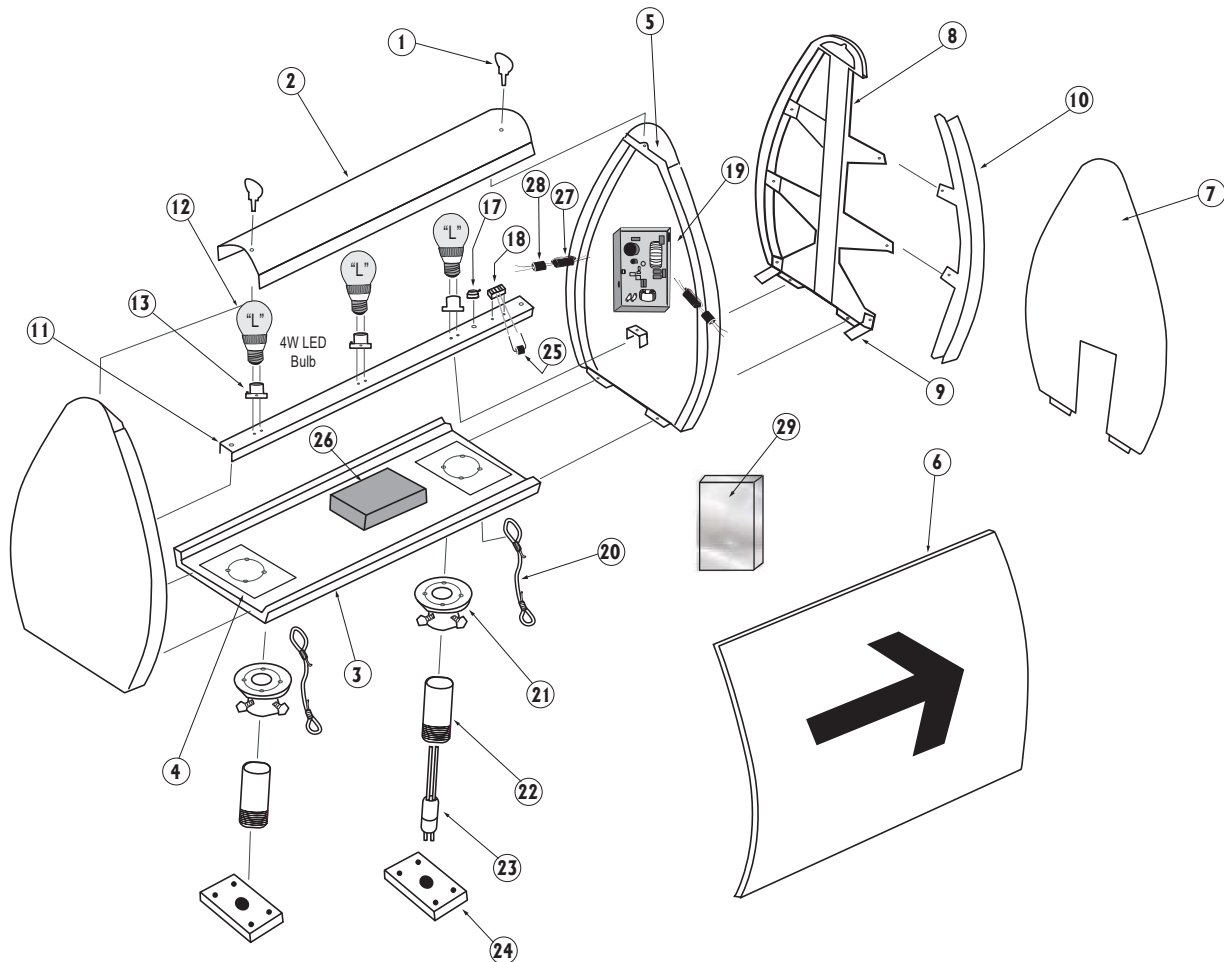


LED LIGHTING SYSTEM Size 3, Mode 3

Parts



Item	Description	Item	Description
1.	340/345 Turn Fastener/Retainer	17.	480 Cable Clamp
2.	L2-C Performance Top	18.	420 Terminal Strip (section)
3.	LCLT-3* Base	19.	L610 LED PCB Controller
4.	L3-AP Aluminum Plate (2 per base)	20.	190 - 3/16" Assembly Tether (2 per module)
5.	LCLT-4C End Panel	21.	130-HD Slipfitter
6.	LCLT-5* Legend Panel	22.	140-HD 6" Frangible Coupling
7.	L5-PS Full Length Panel Spacers Inserts (2 per module)	23.	430 Cord & Plug
8.	LCLT-6C Multi-Module Insert (Tree)	24.	15-HD Floor Flange
9.	L6-AB Aluminum Bracket (4 per tree)	25.	E416 Surge Protector
10.	L7-A Face Insert Channel	26.	Filter ALD Low Pass Filter
11.	L8-A Light Bar	27.	Ferrite A Ferrite Core Split (2 per sign)
12.	L lamp 4W 4W LED Lamp	28.	Ferrite B Ferrite Core Not Split (3 per sign)
13.	500 Medium Screw Socket	29.	G EMI Shield Controller Screen

**Must indicate Mode 3 when ordering.*

LUMACURVE AIRFIELD SIGNS

9115 Freeway Dr., Macedonia, OH 44056
 800-258-1997 www.lumacurve.com