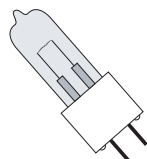


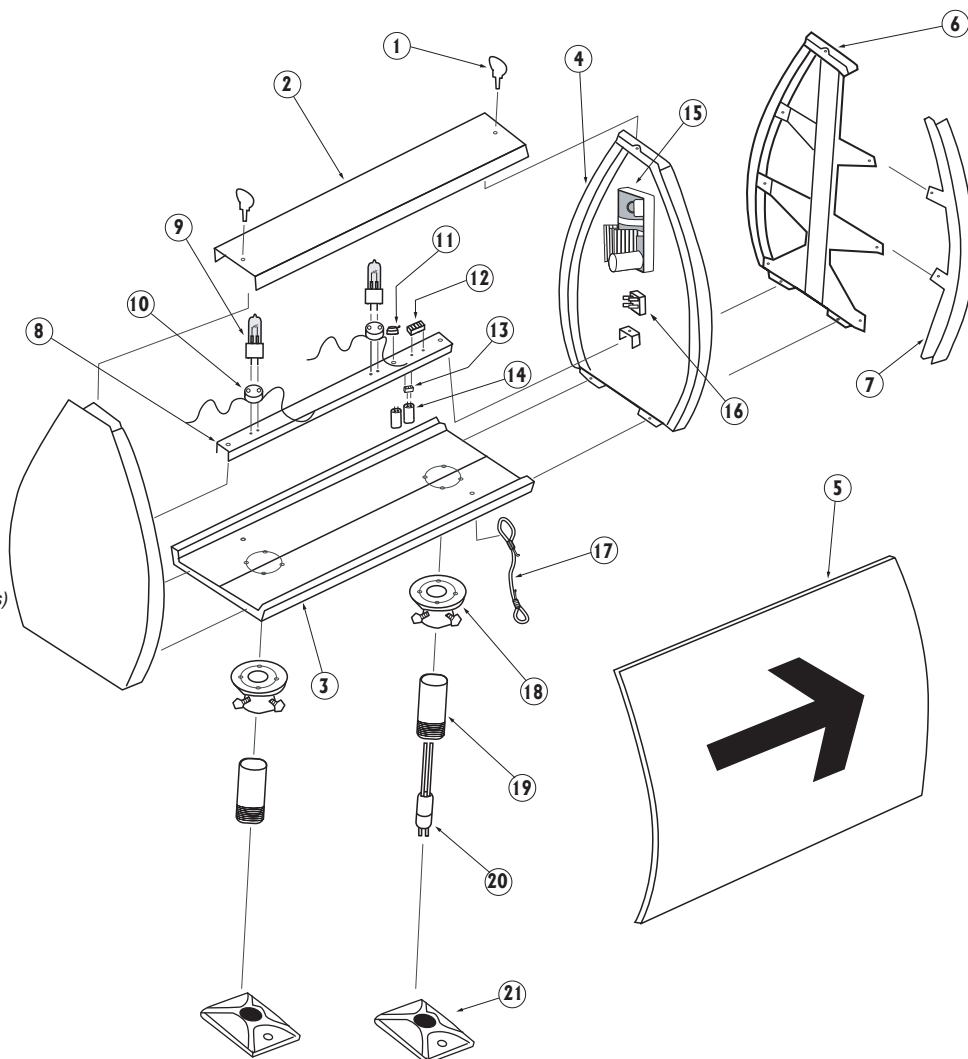
Warning! For maintenance of previously installed equipment only!
This system has not been certified to meet the latest FAA Advisory Circular 150/5345-44

LUMACURVE PARTS LIST



LOVA lighting systems (12V/20W quartz halogen lamps)

Item	Description
1.	340/345 Turn Fasteners
2.	*CLT-2 Cover
3.	*CLT-3 Base
4.	*CLT-4 End Panel
5.	*CLT-5 Legend Panel ¹
6.	*CLT-6 Multi-Mode Insert
7.	*7-B Face Insert Channel ² (Track)
8.	*8-A Light Bar
9.	LOVA Lamp 12V/20W Quartz Lamp
10.	E400A Lampholder
11.	480 Cable Clamp
12.	420 Terminal Strip
13.	420 Terminal Strip (section)
14.	E611 (2) Capacitors for E610
15.	E610 PCB Controller, 75V (1-6 lamps)
16.	E540 Bridge Rectifier 35A/1000V
17.	190-3/16" Tether
18.	130 Slipfitter
19.	*140 Frangible Coupling (6" long)
20.	430 Cord & Plug
21.	15 Floor Flange



One lamp systems only require:

E550 Resistor 10W/2 OHM

To help in placing your order:

*Prefix part number with one of the following sign sizes: "S" (small/ size 1), "M" (medium/ size 2), "L" (large/ size 3 & 5)

¹ Specify one of the following sign types: L-858Y ("Y"ellow), L-858R ("R"ed), L-858L ("L"ocation), or Blank/ Black

² Specify one of the following track colors: (B) Black, (Y) Yellow or (R) Red

LUMACURVE AIRFIELD SIGNS

9115 Freeway Drive, Macedonia, OH 44056
 330.467.2030 www.lumacurve.com