

FAA L-858 AIRFIELD GUIDANCE SIGN



LUMACURVE[®]

AIRFIELD SIGNS

800.258.1997 www.lumacurve.com

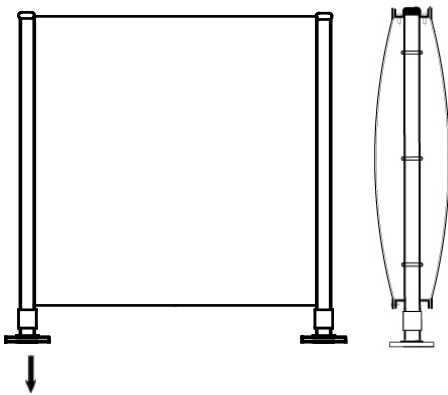
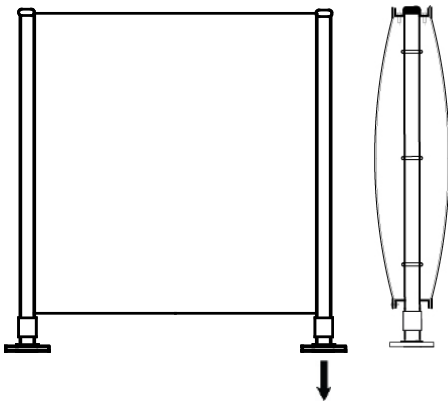
AIRPORT CODE: _____
 AIRPORT, STATE: _____
 PROJECT TITLE: _____
 PROJECT NUMBER: _____

CREATION DATE: _____
 REVISION DATE: _____
 SSI ORDER NUMBER: _____

SIGN NUMBER: _____ PART # _____

ITEM: _____ LIGHTING: _____
 SIZE: 4 (D) STYLE: _____
 CLASS: 2 ISO XFMR: _____
 MODE: 2 VA: _____
 PF: _____

OPTIONS	
<input type="checkbox"/>	Switch - With Cover
<input type="checkbox"/>	Switch - Without Cover
<input type="checkbox"/>	2" I.D. #, One End
<input type="checkbox"/>	2" I.D. #, Two Ends
<input type="checkbox"/>	Sign Ground Lug
<input type="checkbox"/>	Other: _____



SPECIAL INSTRUCTIONS:

LEGEND KEY

D = White on Black B = Blank (Black) ↓ = Power Cord

NOTES

Sign and Legend are not to scale. Submittal is for approval of sign information and legend only.
 Signs include: Frangible couplings, floor flanges, & one tether per leg.

FAA L-858 AIRFIELD GUIDANCE SIGN



LUMACURVE
AIRFIELD SIGNS

800.258.1997 www.lumacurve.com

AIRPORT CODE: _____

CREATION DATE: _____

AIRPORT, STATE: _____

REVISION DATE: _____

PROJECT TITLE: _____

PROJECT NUMBER: _____

SSI ORDER NUMBER: _____

SIGN NUMBER: _____

PART # _____

ITEM: _____

LIGHTING: _____

SIZE: 4 (D)

STYLE: _____

CLASS: 2

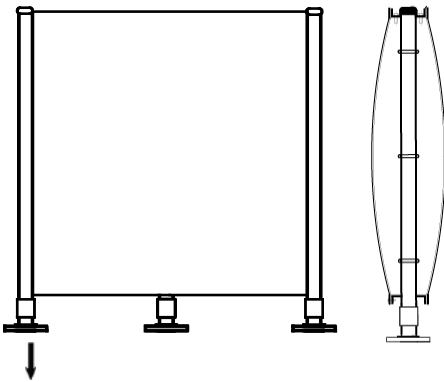
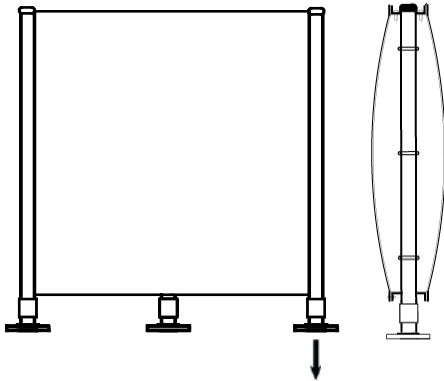
ISO XFMR: _____

MODE: 3

VA: _____

PF: _____

OPTIONS	
<input type="checkbox"/>	Switch - With Cover
<input type="checkbox"/>	Switch - Without Cover
<input type="checkbox"/>	2" I.D. #, One End
<input type="checkbox"/>	2" I.D. #, Two Ends
<input type="checkbox"/>	Sign Ground Lug
<input type="checkbox"/>	Other: _____



SPECIAL INSTRUCTIONS:

LEGEND KEY

D = White on Black B = Blank (Black) ↓ = Power Cord

NOTES

Sign and Legend are not to scale. Submittal is for approval of sign information and legend only.
Signs include: Frangible couplings, floor flanges, & one tether per leg.