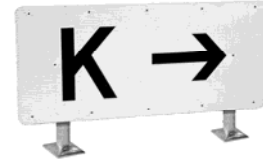




Manufacturer of the First FAA Sign in 1955



UL Series Unlighted Signs

Section G: "Distance Markers & Unlighted Signs"

Standard Signs Inc, manufacturer of LUMACURVE internally lit Airfield Guidance Signs, also offers **UL SERIES UNLIGHTED SIGNS**. Manufactured in accordance with FAA Advisory Circular No. 150/5345-44, UL Series Unlighted Signs enhance airfield safety by clearly marking aircraft ground traffic routes without internal lighting. These signs are available in FAA sizes 1, 2, and 3. They are made in 48 inch and 72 inch lengths and can be either single or double faced.

ITS/ETL certified compliance with FAA specifications ensures the following benefits:

- Proper legend layout, color uniformity & reflectivity ensure that signs are identifiable from up to 800 feet.
- Rigorous temperature & solar radiation tests guarantee that signs will withstand harsh weather conditions.
- Signs are frangible and can be manufactured to break over before 0.9 PSI (mode 1) or 1.2 PSI (mode 2), ensuring minimal to no damage to aircraft if signs are struck.
- At the same time, signs are designed to withstand either 100 mph (mode 1) or 200 mph (mode 2) winds or jet blast and stand firm in the airfield environment.

Simple construction means easy maintenance:

- Rigid, durable frames constructed of 1.5 inch aluminum angle are corrosion resistant.
- "Billboard" style legend panels are made of aluminum sheeting and provide years of performance yet are easily replaced as legends change with airport expansion.
- Signs knocked over are easily erected by replacing frangible couplings.
- No lighting systems to maintain or lamps to replace.

Our sales staff will be happy to assist in determining signage requirements for legends needed on your airfield.

For further assistance, please call 800-258-1997.

STANDARD SIGNS, INC.

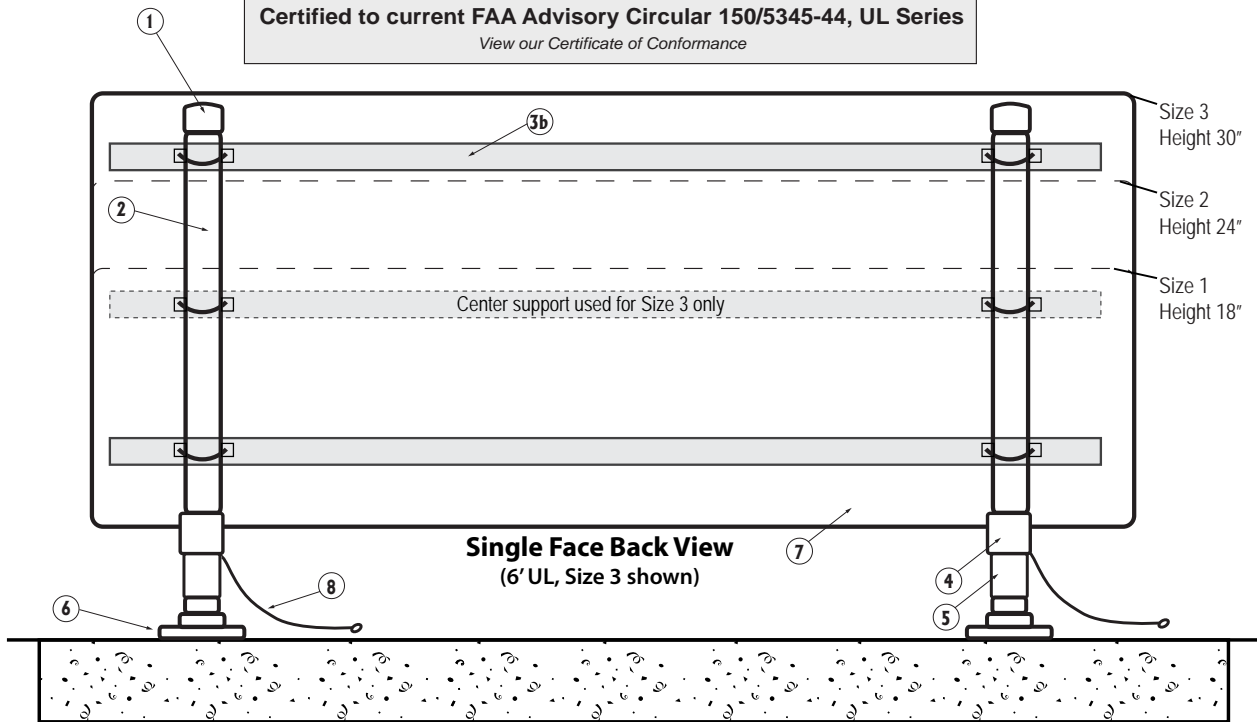
9115 Freeway Drive, Macedonia, OH 44056
P: 800.258.1997 / 330.467.2030 F: 330.467.2076
www.lumacurve.com

10/12
g40.Introduction, unlightedsigns

LUMACURVE PARTS LIST

Unlighted Guidance Sign

Certified to current FAA Advisory Circular 150/5345-44, UL Series
View our Certificate of Conformance



| Item | Description |
|-------------------------|-------------------------------------|
| 1. DCLT-1A | Leg Cap |
| 2. UL Column | See Chart A |
| 3a. RT44 | 44" UL Rectangular Tubing, 4' signs |
| 3b. RT68 | 68" UL Rectangular Tubing, 6' signs |
| 4. 2" Aluminum Coupling | 2" Aluminum Coupling |
| 5. 140 | Frangible Coupling |
| 5a. 140B* | Frangible Coupling* |
| 6. 15 | Floor Flange |
| 7. Panel | See Chart B |
| 8. 190 - 3/16" | Tether |
| 9. RTP | Tubing end plug (not shown) |
| 10. SN38 | Serrated nut (hidden inside tube) |

Single Face Signs Only

| | |
|------------|----------------|
| 11a. SB214 | Saddle Bracket |
| 11b. UB1 | U-Bolt |

Double Face Signs Only

| | |
|-------------|----------------------|
| 12a. SB214S | Short Saddle Bracket |
| 12b. SB38 | Straight Bolt |

*Used on LUL-6' only.

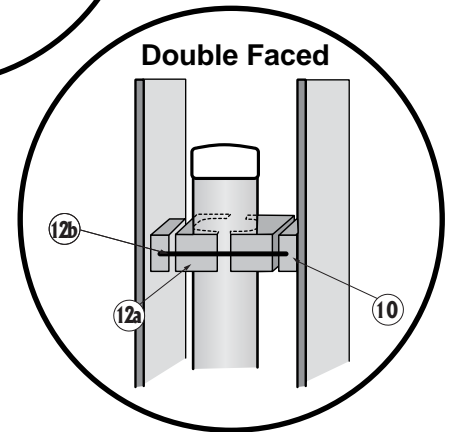
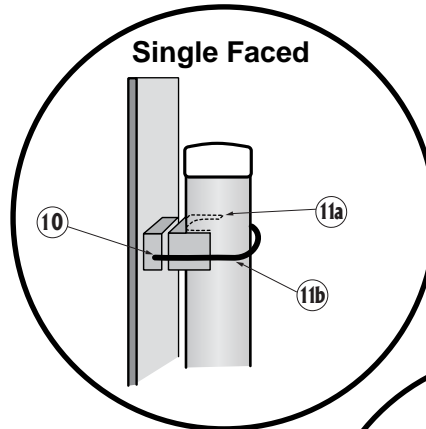


CHART A

UL Column:

| | |
|--------|----------------------------|
| Size 1 | 4ft SCH 40 length = 16.25" |
| Size 1 | 6ft SCH 40 length = 16.25" |
| Size 2 | 4ft SCH 40 length = 20.75" |
| Size 2 | 6ft SCH 40 length = 20.75" |
| Size 3 | 4ft SCH 40 length = 26.75" |
| Size 3 | 6ft SCH 80 length = 26.75" |

CHART B

Panel Sizes

Item Description

| | |
|---------|-----------------------------|
| SXL4-20 | Size 1, 4' Panel, 18" x 48" |
| SXL6-20 | Size 1, 6' Panel, 18" x 72" |
| MXL4-20 | Size 2, 4' Panel, 24" x 48" |
| MXL6-20 | Size 2, 6' Panel, 24" x 72" |
| LXL4-20 | Size 3, 4' Panel, 30" x 48" |
| LXL6-20 | Size 3, 6' Panel, 30" x 72" |

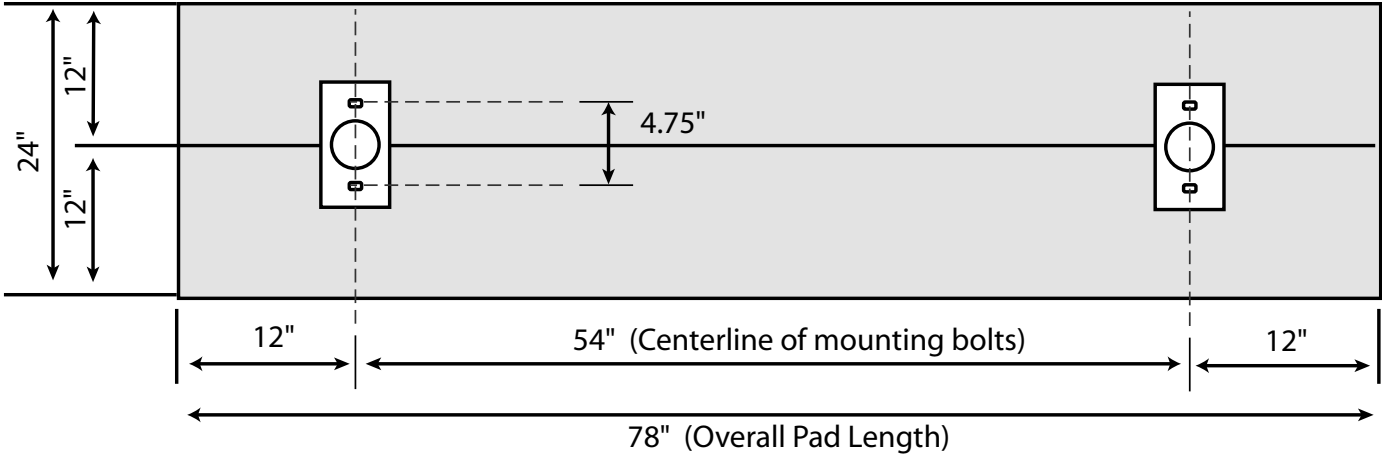
STANDARD SIGNS, INC.

9115 Freeway Drive, Macedonia, OH 44056

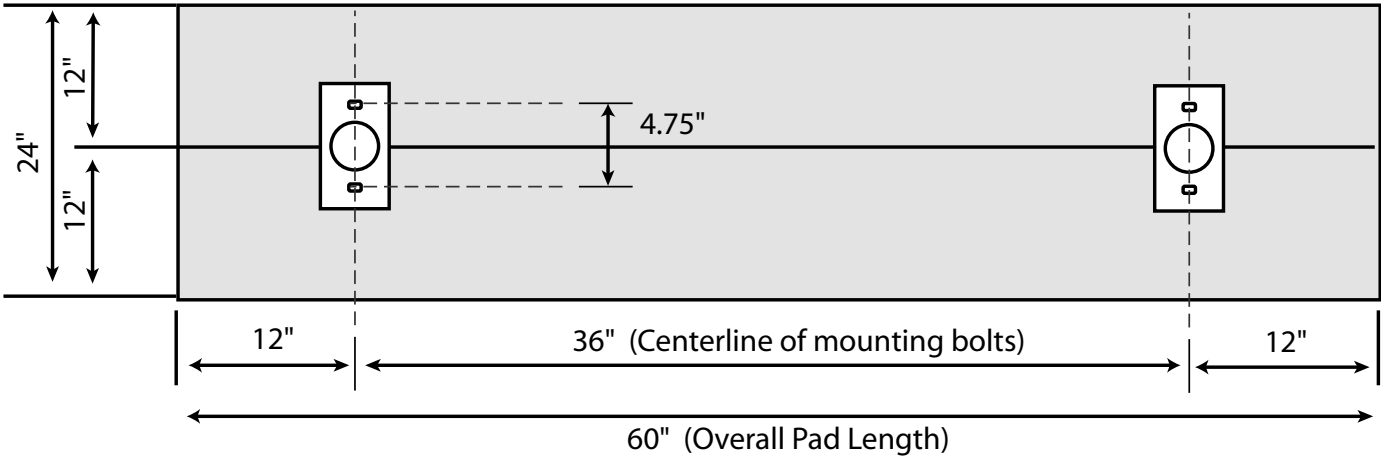
Phone: 800.258.1997 / 330.467.2030 Fax: 330.467.2076 www.lumacurve.com

Copyright 2014 by STANDARD SIGNS, INC. ALL RIGHT RESERVED.

6' UL Pad Dimensions



4' UL Pad Dimensions



Above references recommended cement pad dimensions and mounting bolt locations for Lumacurve signs
Recommended anchor bolts: 3/8" x 5" with LOCK washers

STANDARD SIGNS, INC.

9115 Freeway Drive, Macedonia, OH 44056
Phone: 800.258.1997 / 330.467.2030 Fax: 330.467.2076
www.lumacurve.com