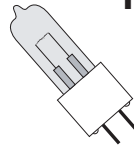


Warning! For maintenance of previously installed equipment only!

This system has not been certified to meet the latest FAA Advisory Circular 150/5345-44



Parts & Electrical Information for Taxiway & Runway Signs

LOVA lighting systems

(12V/20W quartz halogen lamps)

LUMACURVE LOVA system

The LUMACURVE LOVA system maintains a constant sign brightness in accordance with FAA A/C 150-5324-44 with appreciably higher efficiency relative to traditional lighting systems, and is available in new signs or in kit form for retrofit. This system ensures delivery of a constant voltage to quartz lamps regardless of constant current regulator (CCR) output to the primary circuit and operates on both high (2.8A - 6.6A) and medium (4.8A - 6.6A) intensity circuits without internal modification*. The lamps authorized for use in this system are Standard Signs Inc P/N #LOVA Lamp Assembly with GE #14131;Q20T4/CL Bipin quartz halogen 12V/20W lamp & custom ceramic adapter base. They are available directly from Standard Signs Inc.

IMPORTANT!

The LUMACURVE LOVA lighting system is designed exclusively for FAA styles 2 & 3 operation on a series circuit together with non-sign fixtures, such as edge lights, where the sign brightness control components are necessary to maintain constant sign brightness regardless of CCR step. Non-sign load must be present on the circuit for proper operation of this system. LOVA Signs should NOT be installed on a circuit that powers only signs. For circuits dedicated to signs, please request LUMACURVE lighting systems designed for FAA style 5 operation.

INSTALLATION:

System lamp voltage is factory set but we recommend that one sign per CCR be spot checked with a DC voltmeter after installation. Lamp voltage is read across the white and brown leads at the sign terminal strip on the light bar (P/N #CLT 8). If voltage varies from recommended settings (11.5V for Size 1 signs or 11.2V for sizes 2, 3, and 5), all signs on that circuit should be checked and adjusted. To adjust, turn the small screw in the upper left corner of the printed circuit board (PCB) controller(s) mounted on the inside of the end panel (P/N #CLT-4). Signs with over 6 lamps will contain 2 PCB controllers wired in series.

NOTE: The adjustment screw is designed only for fine-tuning and does not function as a dimmer.

Signs must not be operated at less than 11 volts.

There is a 10-minute warm-up period for lamps to come to set voltage but sign brightness meets FAA specifications even at cold voltages. Approximate average sign brightness for a yellow sign (white is 25% brighter) at recommended voltages for FAA sign sizes 1, 2 & 3 are as follows:

Size 1	Size 2	Size 3
11.5V	11.2V	11.2V
15-16 FLT	18-19 FLT	18-19 FLT

*Isolation transformer wattage requirements may vary for each application.

For further assistance please call 800-258-1997



Only Lumacurves are backed by a

3 Year Warranty !

Contact customer service for details.

STANDARD SIGNS, INC.

9115 Freeway Drive, Macedonia, OH 44056

Phone: 800.258.1997 / 330.467.2030 Fax: 330.467.2076

www.lumacurve.com

Copyright 2012 by STANDARD SIGNS, INC. ALL RIGHT RESERVED.

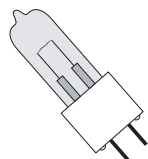
12/12

c62.Electrical_LOVA

Warning! For maintenance of previously installed equipment only!

This system has not been certified to meet the latest FAA Advisory Circular 150/5345-44

LUMACURVE PARTS LIST

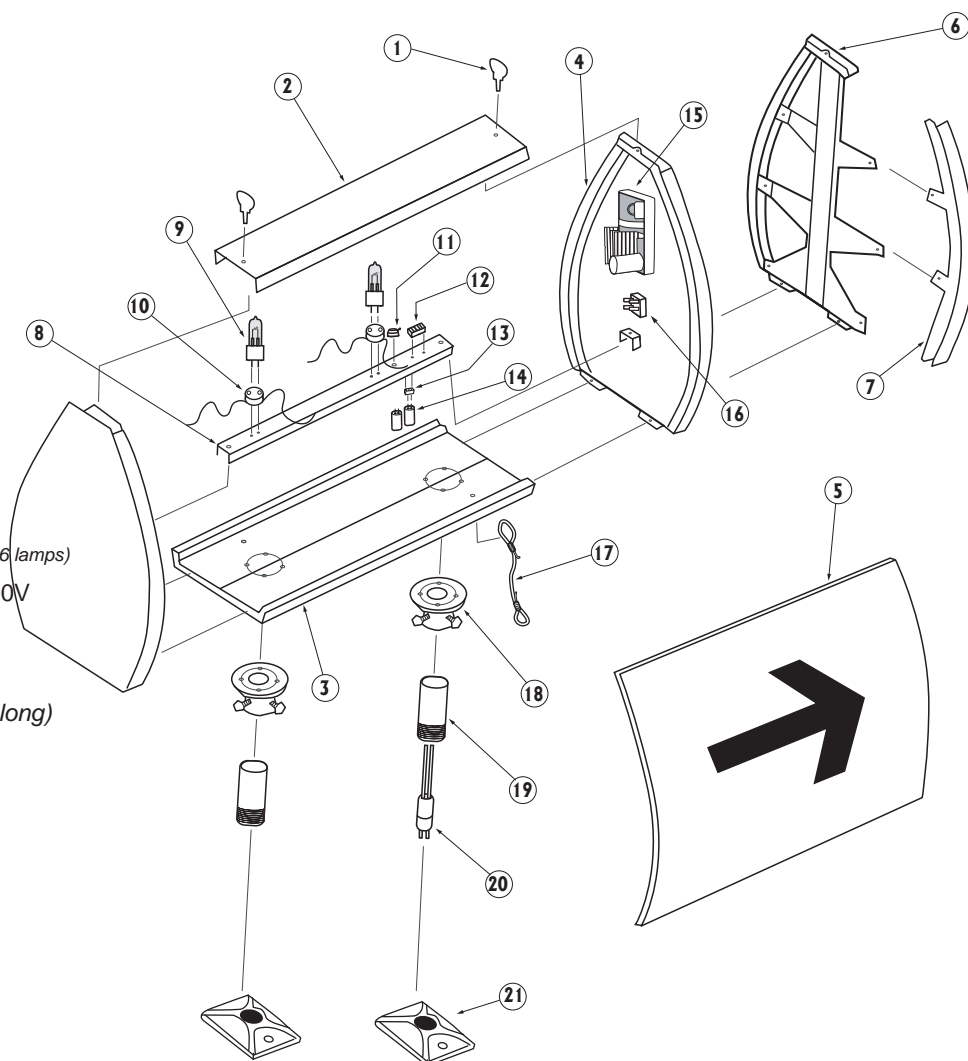


LOVA lighting systems

(12V/20W quartz halogen lamps)



Item	Description
1.	340/345 Turn Fasteners
2.	*CLT-2 Cove
3.	*CLT-3 Base
4.	*CLT-4 End Panel
5.	*CLT-5 Legend Panel ¹
6.	*CLT-6 Multi-Mode Insert
7.	*7-A Face Insert Channel ¹
8.	*8-A Light Bar
9.	LOVA Lamp 12V/20W Quartz Lamp
10.	E400A Lampholder
11.	480 Cable Clamp
12.	420 Terminal Strip
13.	420 Terminal Strip (section)
14.	E611 (2) Capacitors for E610
15.	E610 PCB Controller, 75V (1-6 lamps)
16.	E540 Bridge Rectifier 25A/600V
17.	CLT-19 Tether
18.	130 Slipfitter
19.	*140 Frangible Coupling (6" long)
20.	430 Cord & Plug
21.	15 Floor Flange



One lamp systems only require:

E550 Resistor 10W/2 OHM

To help in placing your order:

*Prefix part number with one of the following sign sizes: "S" (small/ size 1), "M" (medium/ size 2), "L" (large/ size 3 & 5)

¹ Specify one of the following sign types: L-858Y ("Y"ellow), L-858R ("R"ed), L-858L ("L"ocation), or Blank/ Black