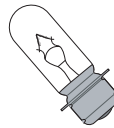


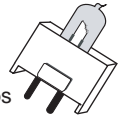


Parts & Electrical Information for Taxiway & Runway Signs



Style 5 lighting systems

T10P 6.6A/45W incandescent & 45W/EXM quartz lamps



Certified to current FAA Advisory Circular 150/5345-44H
 Specification for Runway and Taxiway Signs
View our Certificate of Conformance dated 12/3/2008

Style 5 signs are for operation on a constant 5.5A circuit and have no brightness control transformer installed.

6.6A/45W Incandescent lamps										45W EXM Quartz lamps									
CAT#	POWER TAPS		Lamps	Watts	Amps	Volts	VA	PF	ISO Xfmr	CAT#	POWER TAPS		Lamps	Watts	Amps	Volts	VA	PF	ISO Xfmr
	LAMP	POWER									LAMP	POWER							
S15P	N/A	N/A	1	36	5.5	6.6	36.3	0.99	45W	S15Q	N/A	N/A	1	39	5.5	7.1	39.05	1.00	45W
S25P	N/A	N/A	2	68	5.5	12.4	68.2	1.00	100W	S25Q	N/A	N/A	2	70	5.5	12.7	69.85	1.00	100W
S35P	N/A	N/A	3	93	5.5	16.9	92.95	1.00	100W	S35Q	N/A	N/A	3	99	5.5	18	99	1.00	100W
S45P	N/A	N/A	4	122	5.5	22.1	121.55	1.00	200W	S45Q	N/A	N/A	4	129	5.5	23.5	129.25	1.00	200W
M15P	N/A	N/A	2	68	5.5	12.4	68.2	1.00	100W	M15Q	N/A	N/A	2	70	5.5	12.7	69.85	1.00	100W
M25P	N/A	N/A	4	122	5.5	22.1	121.55	1.00	200W	M25Q	N/A	N/A	4	129	5.5	23.5	129.25	1.00	200W
M35P	N/A	N/A	6	172	5.5	31.3	172.15	1.00	200W	M35Q	N/A	N/A	6	183	5.5	33.2	182.6	1.00	200W
M45P	N/A	N/A	8	230	5.5	41.8	229.9	1.00	300W	M45Q	N/A	N/A	8	249	5.5	45.3	249.15	1.00	300W
L15P	N/A	N/A	3	89	5.5	16.2	89.1	1.00	100W	L15Q	N/A	N/A	3	99	5.5	18	99	1.00	100W
L25P	N/A	N/A	6	172	5.5	31.3	172.15	1.00	200W	L25Q	N/A	N/A	6	183	5.5	33.2	182.6	1.00	200W
L35P	N/A	N/A	9	255	5.5	46.4	255.2	1.00	300W	L35Q	N/A	N/A	9	276	5.5	50.2	276.1	1.00	300W
L45P	N/A	N/A	12	341	5.5	62	341	1.00	500W	L45Q	N/A	N/A	12	367	5.5	66.7	366.85	1.00	500W



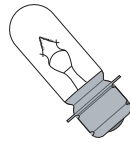
Only Lumacurves are backed by a
3 Year Warranty!
 Contact customer service for details.

Copyright 2009 by STANDARD SIGNS, INC. ALL RIGHT RESERVED.

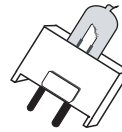
STANDARD SIGNS, INC.
 3190 East 65th Street, Cleveland, Ohio 44127, USA
 Phone: 800.258.1997 / 216.341-5611 Fax: 216.341.0652 www.lumacurve.com

LUMACURVE PARTS LIST

Style 5 Lighting Systems



Incandescent
T10P 6.6A/45W lamps
(Shown below)

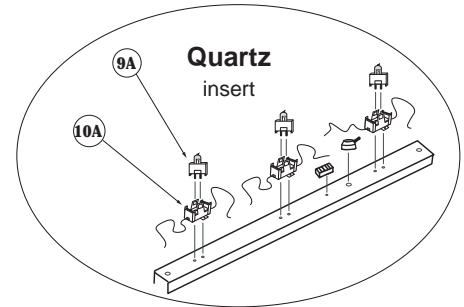


Quartz
45W/EXM lamps
(See Quartz insert)

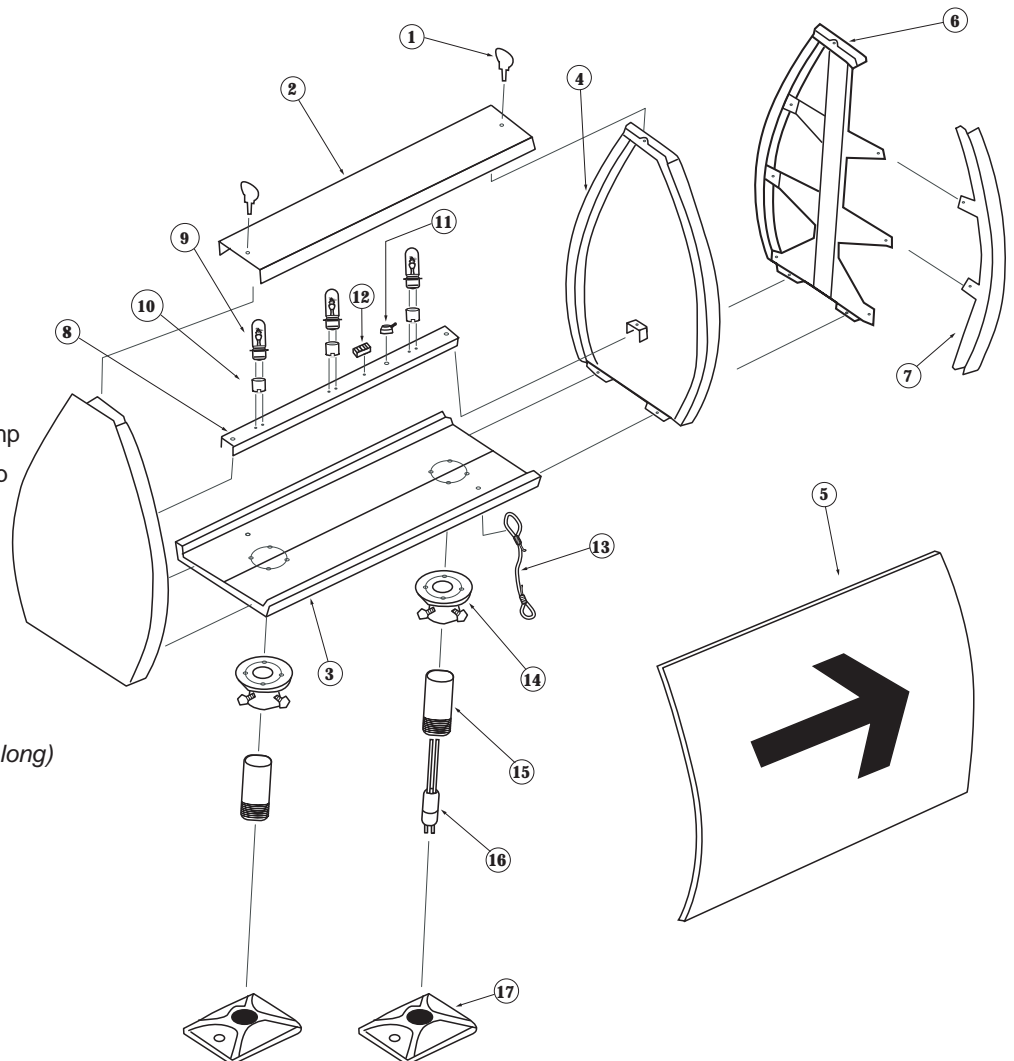


Certified to current FAA Advisory Circular 150/5345-44H
Specification for Runway and Taxiway Signs
View our Certificate of Conformance dated 12/3/2008

Experience our exclusive "Wait-Less" service!
Call by 10AM, complete signs & parts ship same day!
No extra charge! Call 800.258.1997



Item	Description
1.	340/345 Turn Fasteners
2.	*CLT-2 Cover
3.	*CLT-3 Base
4.	*CLT-4 End Panel
5.	*CLT-5 Legend Panel ¹
6.	*CLT-6 Multi-Mode Insert
6A.	*CLT-6A Panel Spacer ²
7.	*7-A Face Insert Channel ¹
8.	*8-A Lamp Socket Channel
9.	6.6/T10P 45W Incandescent Lamp
9A.	45W EXM 45W EXM Quartz Lamp
10.	400 Prefocus socket
10A.	501 Quartz socket
11.	480 Cable Clamp
12.	420 Terminal Strip
13.	CLT-19 Tether
14.	130 Slipfitter
15.	*140 Frangible Coupling (6" long)



To help in placing your order:

*Prefix part number with one of the following sign sizes: "S" (small/ size 1), "M" (medium/ size 2), "L" (large/ size 3 & 5)

¹ Specify one of the following sign types: L-858Y ("Y"ellow), L-858R ("R"ed), L-858L ("L"ocation), or Blank/ Black

² Size 3 only, 2 per module-not pictured