

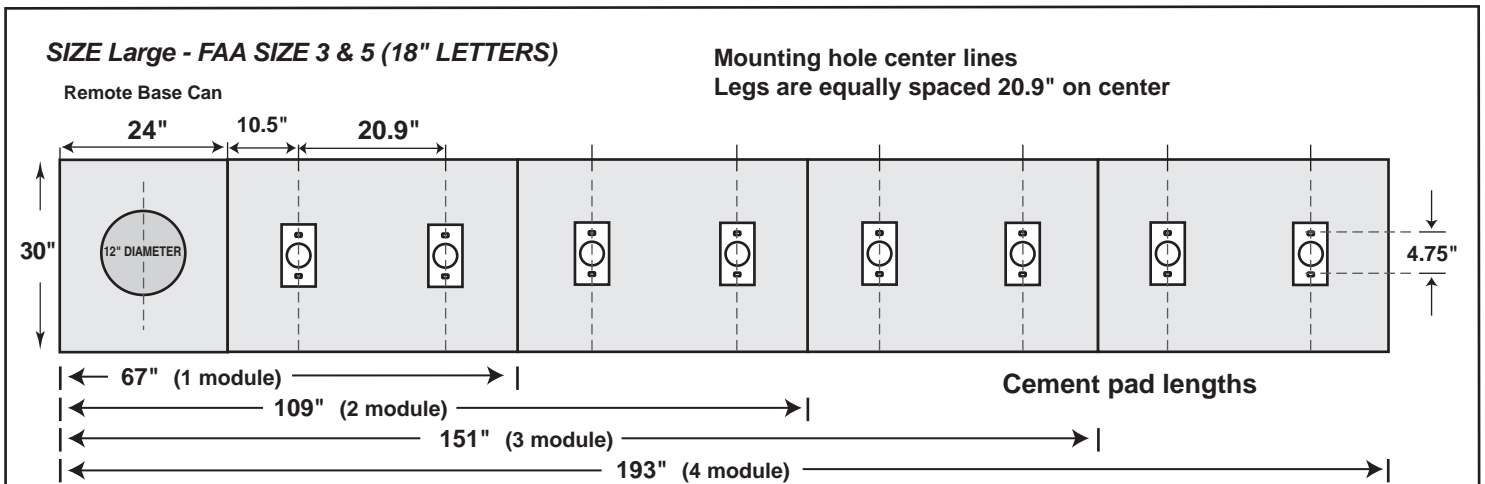
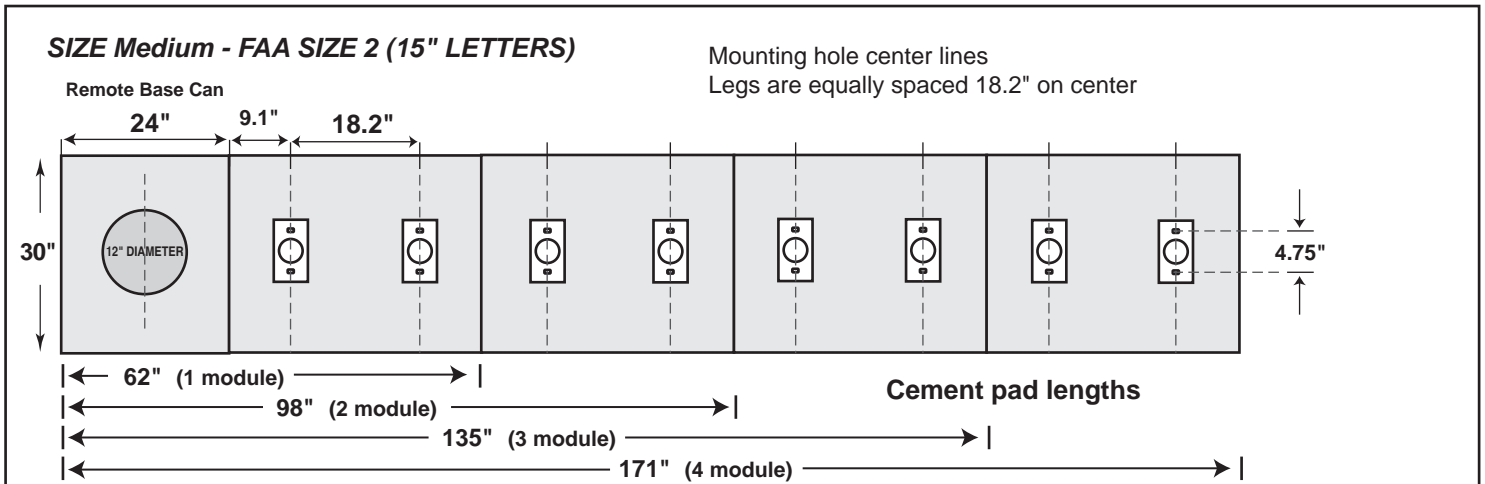
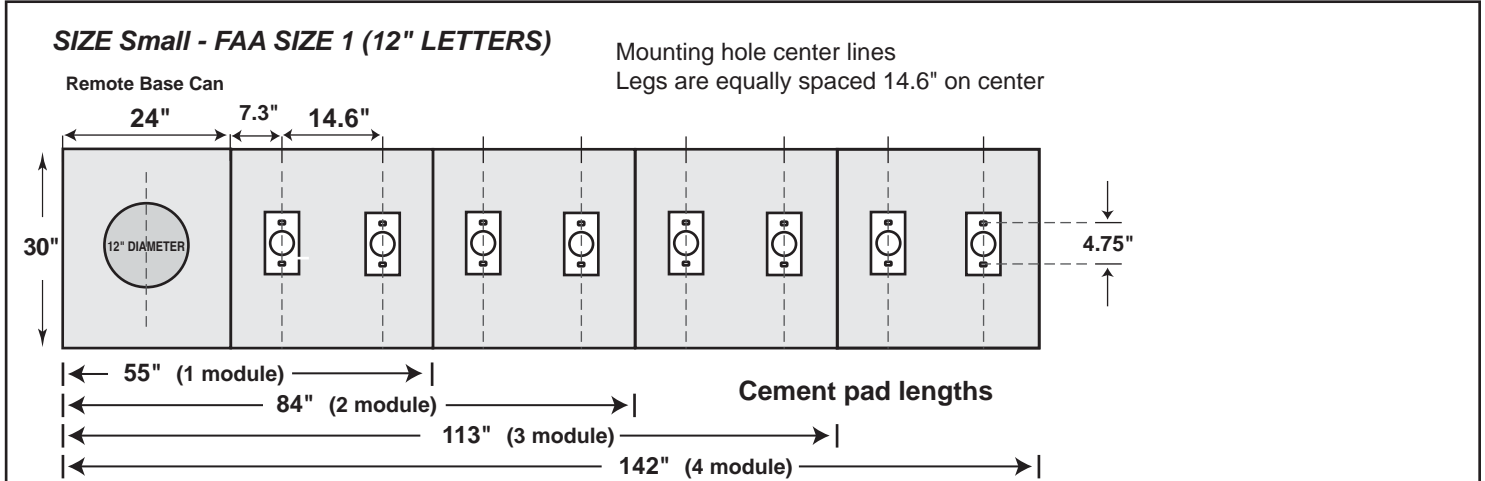


Installation Instructions

Pad dimensions & mounting locations

Sign Sizes: 1, 2, 3 & 5

Standard Mode 2 Installation (Inner Mount)



Above references recommended cement pad dimensions and mounting bolt locations for Lumacurve signs

*Recommended concrete thickness : 6"-8"

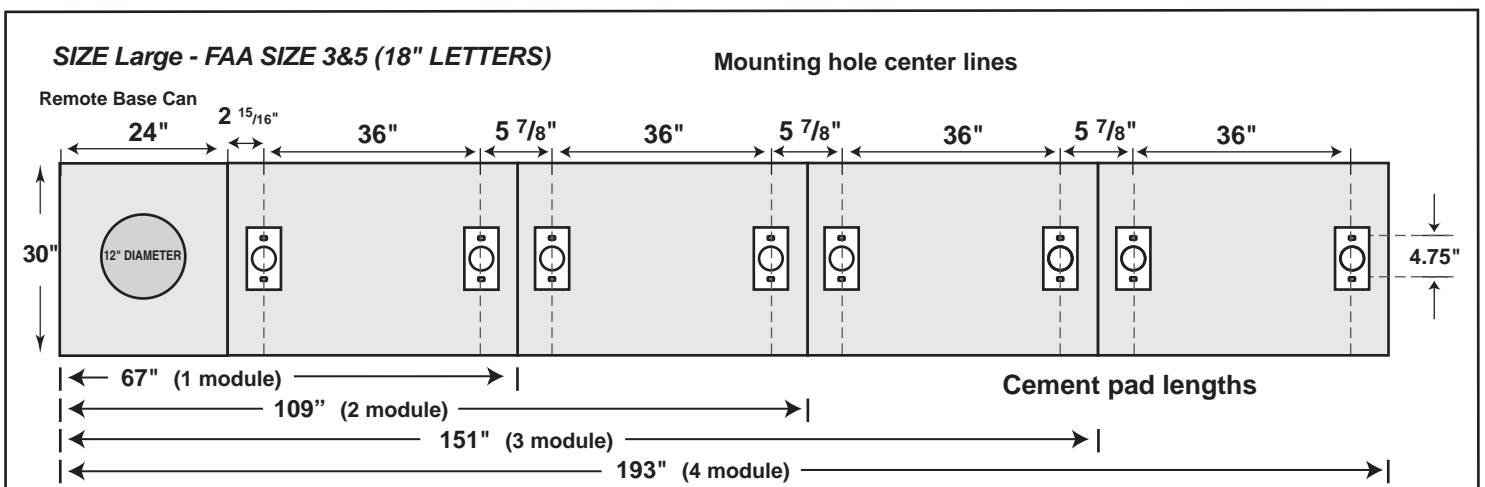
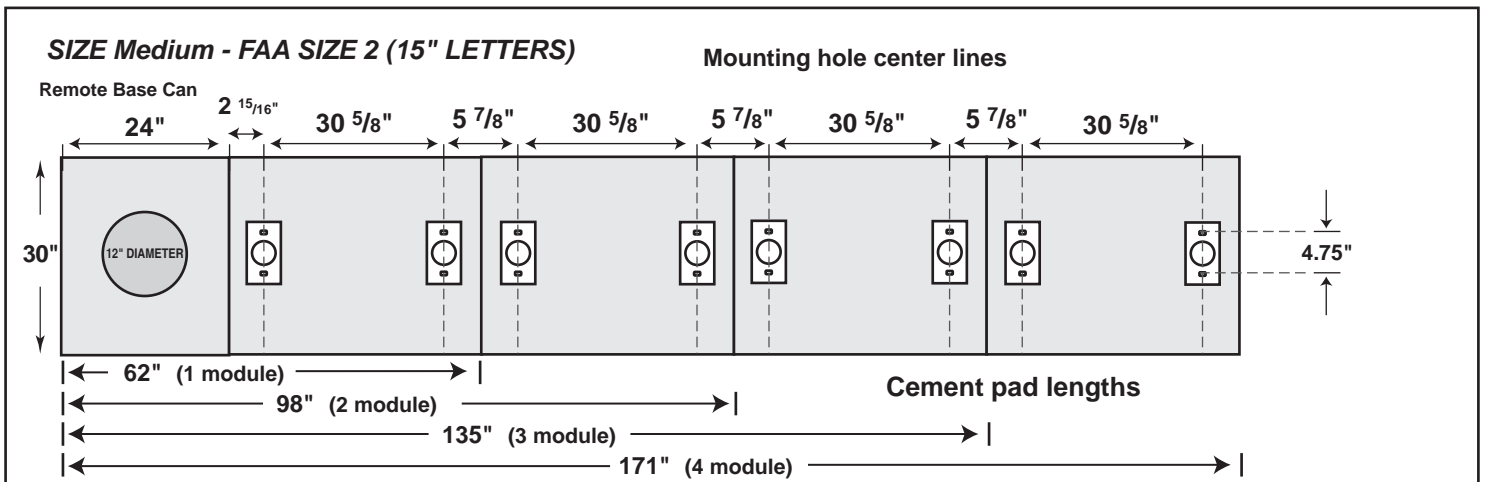
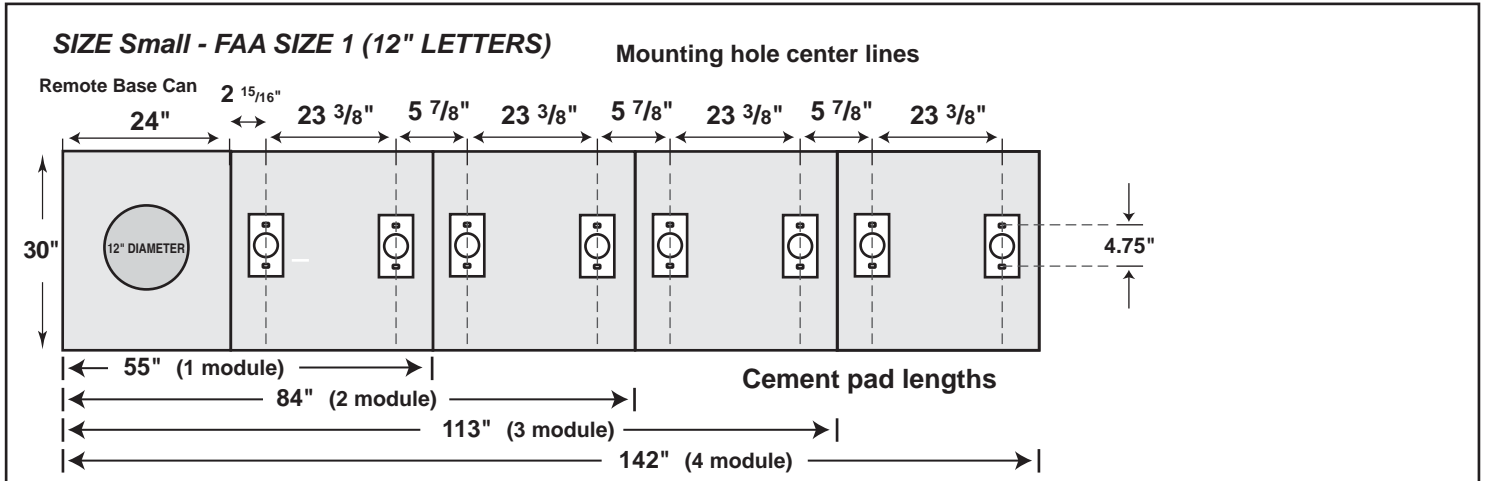
*Recommended anchor bolts: 3/8" x 5" with LOCK washers



Installation Instructions

Pad dimensions & mounting locations
Sign Sizes: 1, 2, 3 & 5

Alternate Mode 2 Installation (Outer Mount)



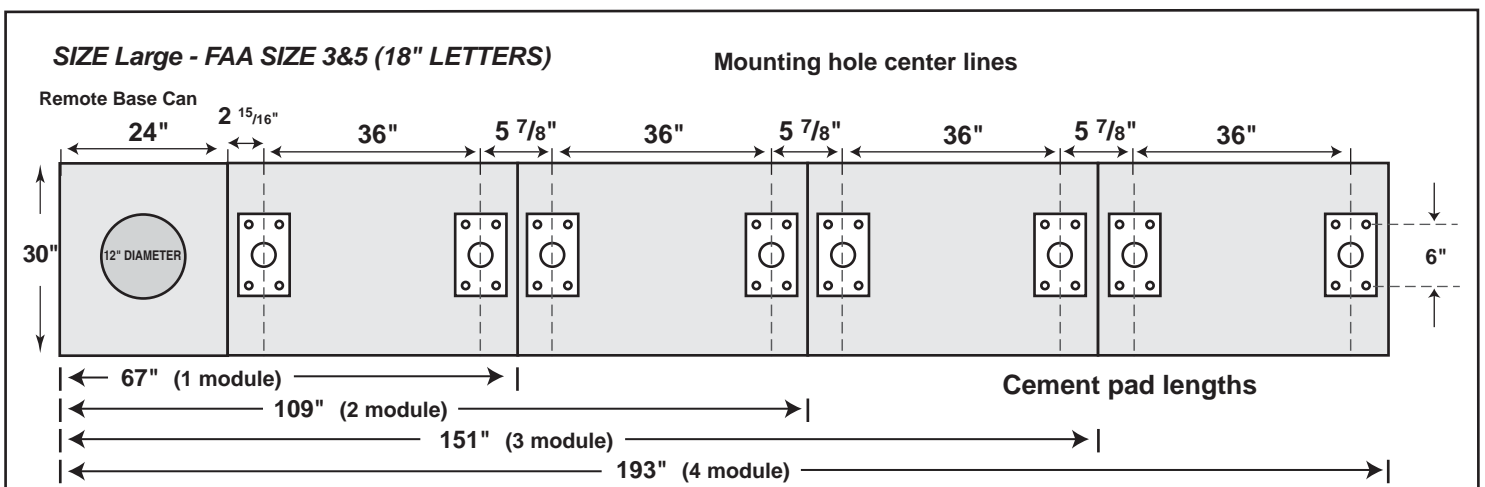
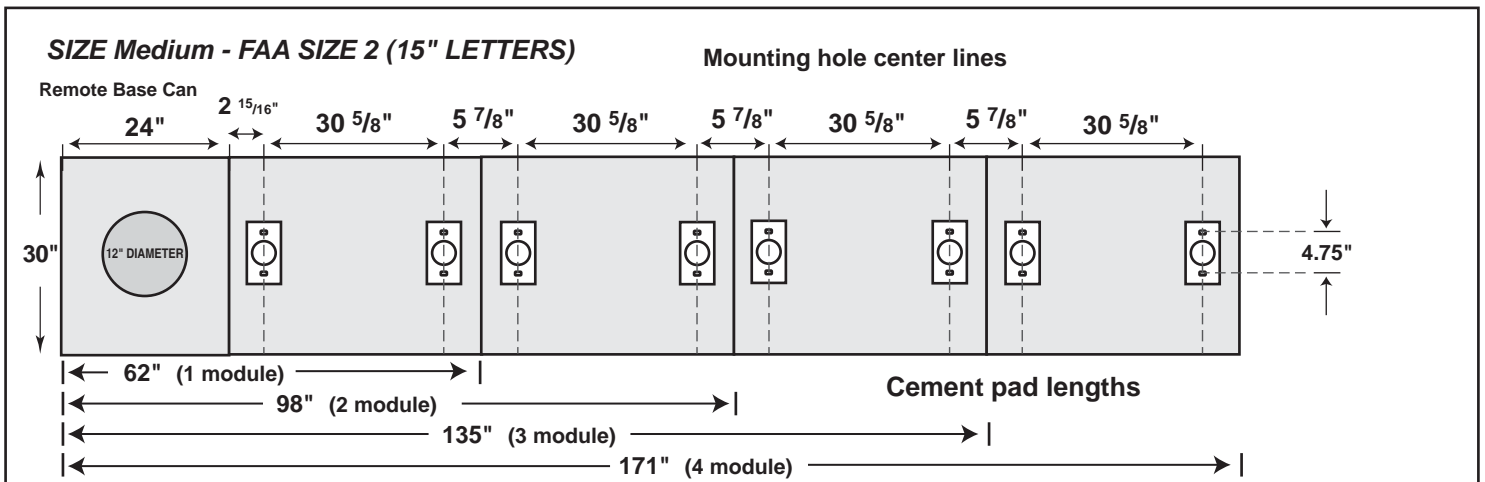
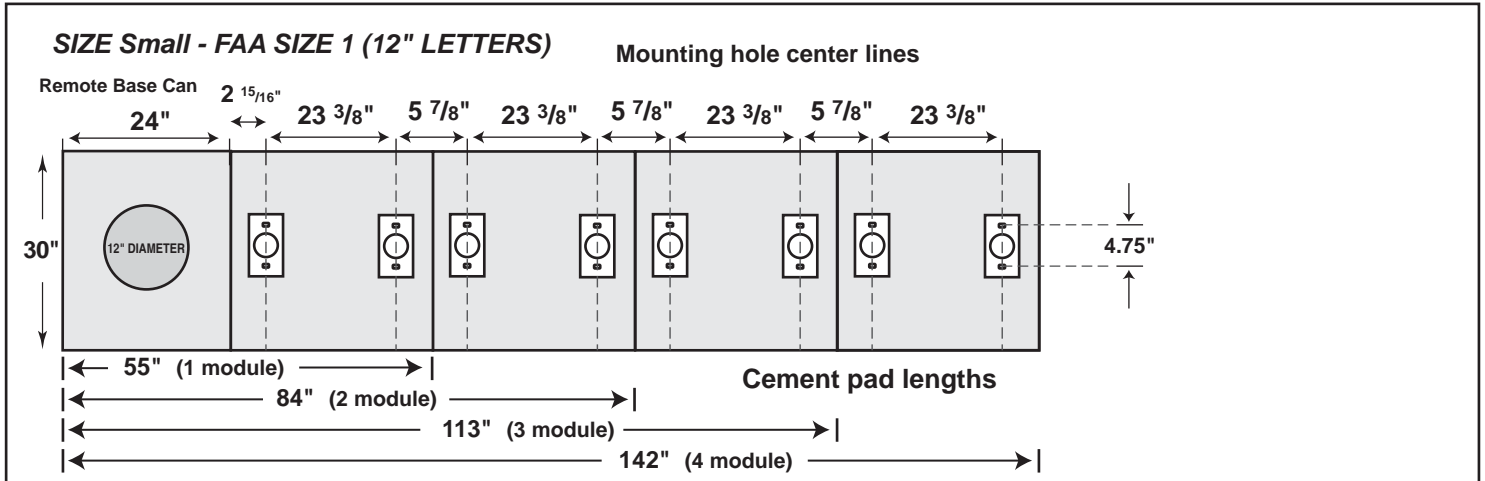
Above references recommended cement pad dimensions and mounting bolt locations for Lumacurve signs
Recommended concrete thickness : 6"-8"
Recommended anchor bolts: 3/8" x 5" with LOCK washers



Installation Instructions

Pad dimensions & mounting locations
Sign Sizes: 1, 2, 3 & 5

Mode 3 Installation (Outer Mount Only)



Above references recommended cement pad dimensions and mounting bolt locations for Lumacurve signs
 Recommended concrete thickness : 6"-8"
 Recommended anchor bolts: Size 1 & 2: 1/2" x 5"
 Size 3 & 5: 5/8" x 5"