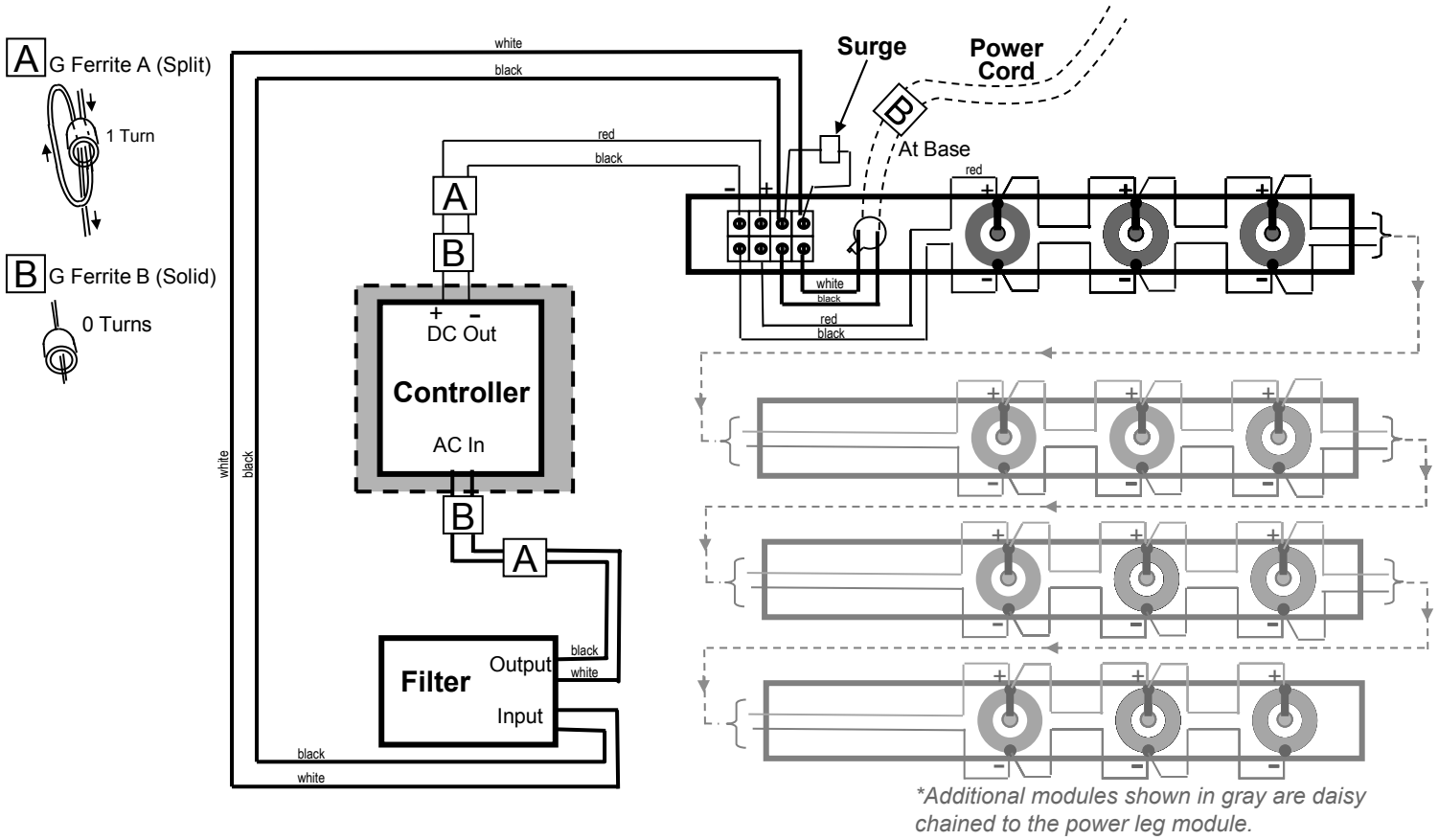


Wiring Diagram, LED Lighting System



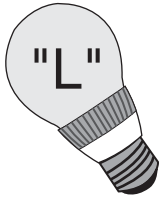
LED VA Loads, Power Factors and Isolation Transformers

		LED Lighting Systems									
		FAA Style 2 (4.8A-6.6A)			FAA Style 3 (2.8A-6.6A)			FAA Style 5 (5.5A)			
Sign Size & Module Length	Lamps	4W LED			4W LED			4W LED			
		Isol Xfmr	Max VA	Pwr Factr	Isol Xfmr	Max VA	Pwr Factr	Isol Xfmr	Max VA	Pwr Factr	
Size 1	1-mod	2	45W	47	0.93	45W	47	0.93	45W	37	0.94
	2-mod	4	100W	59	0.88	100W	58	0.88	100W	47	0.91
	3-mod	6	100W	66	0.90	100W	66	0.90	100W	54	0.93
	4-mod	8	100W	73	0.92	100W	72	0.92	100W	61	0.94
Size 2	1-mod	3	100W	57	0.87	100W	56	0.87	100W	44	0.89
	2-mod	6	100W	66	0.90	100W	66	0.90	100W	54	0.93
	3-mod	9	100W	76	0.92	100W	76	0.92	100W	64	0.94
	4-mod	12	100W	86	0.94	100W	86	0.94	100W	75	0.96
Size 3	1-mod	3	100W	57	0.87	100W	56	0.87	100W	44	0.89
	2-mod	6	100W	66	0.90	100W	66	0.90	100W	54	0.93
	3-mod	9	100W	76	0.92	100W	76	0.92	100W	64	0.94
	4-mod	12	100W	86	0.94	100W	86	0.94	100W	75	0.96
Size 5	1-mod	3	100W	57	0.87	100W	56	0.87	100W	44	0.89
	4-mod	6	100W	66	0.90	100W	66	0.90	100W	54	0.93

STANDARD SIGNS, INC.

9115 Freeway Drive, Macedonia, OH 44056
 Phone: 800.258.1997 / 330.467.2030 Fax: 330.467.2076
 www.lumacurve.com

Copyright 2012 by STANDARD SIGNS, INC. ALL RIGHT RESERVED.

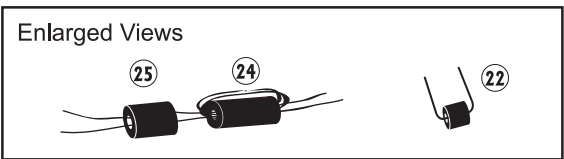
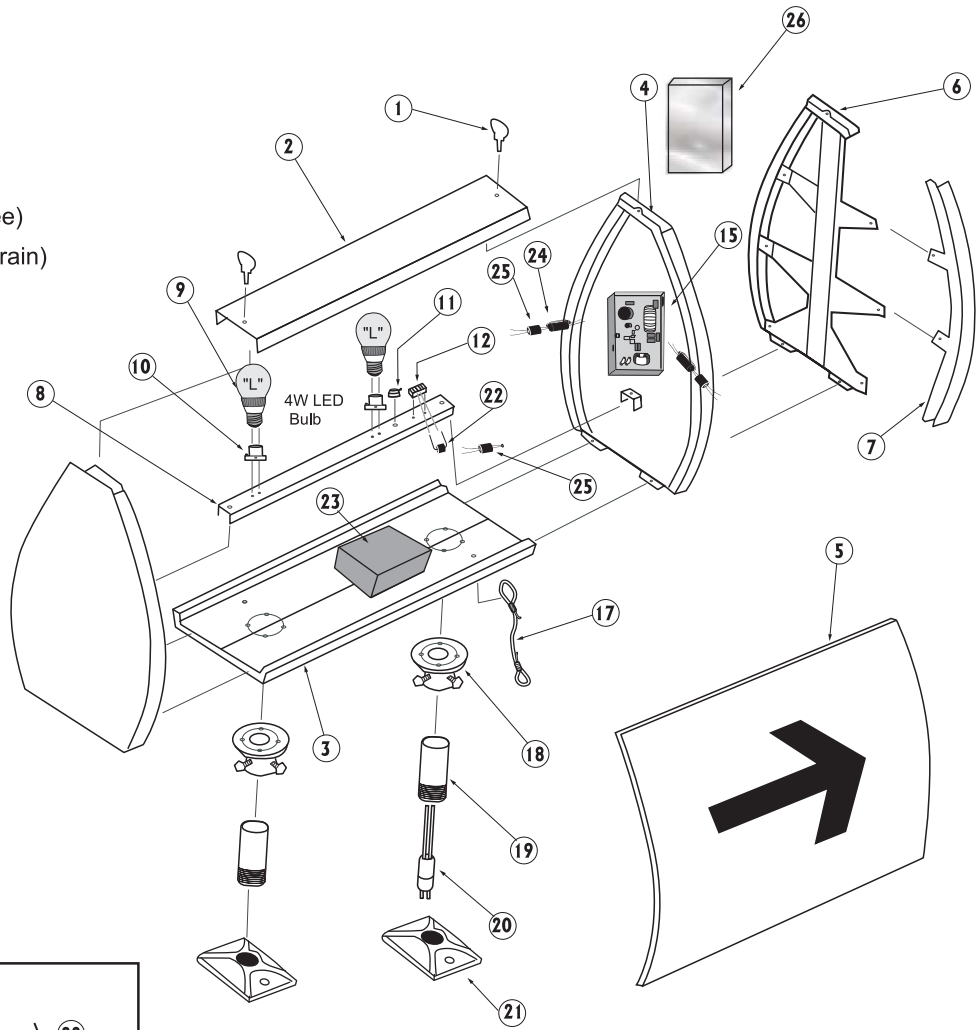


LUMACURVE PARTS LIST

LED Lighting Systems (4W LED screw base type lamp)

Certified to current FAA Advisory Circular 150/5345-44
Specification for Runway and Taxiway Signs
View our Certificate of Conformance

Item	Description
1.	340/345 Turn Fasteners
2.	*CLT-2 Cover
3.	*CLT-3 Base
4.	*CLT-4 End Panel
5.	*CLT-5 Legend Panel ¹
6.	*CLT-6 Multi-Module Insert (Tree)
7.	*7-A Face Insert Channel ¹ (Train)
8.	*8-A Light Bar
9.	L lamp 4W 4W LED Lamp
10.	500 Medium Screw Socket
11.	480 Cable Clamp
12.	420 Terminal Strip (section)
15.	L610 LED PCB Controller
17.	CLT-19 Tether
18.	130 Slipfitter
19.	*140 6" Frangible Coupling
20.	430 Cord & Plug
21.	15 Floor Flange
22.	E416 Surge Protector
23.	Filter ALD Low Pass Filter
24.	Ferrite A Ferrite Core Split
25.	Ferrite B Ferrite Core Not Split
26.	G EMI Shield Controller Screen Screen



Experience our exclusive "Wait-Less" service!
Call by 10AM, complete signs & parts ship same day!
No extra charge! Call 800.258.1997

To help in placing your order:

*Prefix part number with one of the following sign sizes: "S" (small/ size 1), "M" (medium/ size 2), "L" (large/ size 3 & 5)
¹ Specify one of the following sign types: L-858Y ("Y"ellow), L-858R ("R"ed), L-858L ("L"ocation), or Blank/ Black