



Installation Instructions

for Taxiway & Runway Signs

Size 1, Size 2, Size 3 & Size 5

DO NOT DISCARD

Important information for AIRPORT MAINTENANCE DEPT

To install:

1. Locate the frangible couplings (item #1 see **Electrical Connection Detail**) and floor flanges (#2) that are provided with the sign. (For small sign orders, they may be packaged in the box with the sign. Larger order will have a separate carton containing this hardware.) Coat the threads of the frangible couplings with an anti-seize compound or petroleum jelly, then screw them hand tight into the floor flanges .

Note: It is also important that the correct couplings be used with the sign. The coupling size and mode are etched on the outside of the coupling. Incorrectly sized couplings will not meet FAA frangibility requirements.

2. Locate the power cord (#4). It will be visible protruding from the power leg slipfitter (#3).

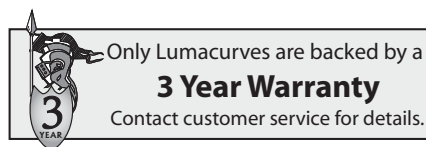
Note: the power cord and electrical components are located in the module nearest the nameplate on the end of the sign.

3. Slip the coupling/floor flange assemblies into each slipfitter (#3) on the bottom of the sign. Tighten the set screws (#5) just enough to hold them in place. Floor flanges must be oriented with mounting holes perpendicular to the sign base. For the power cord leg, pull enough power cord slack from the sign to allow a connection with the isolation transformer secondary extension cord (#6).

Note: The power cord that is provided is extra long to allow exiting the sign through any leg desired.

Note: in a typical remote L867 base can installation, the sign leg is connected to the remote can with 2" rigid galvanized steel (RGS) conduit. An isolation transformer secondary extension cord (#6) is fed through the conduit and connects the sign power cord plug to the isolation transformer secondary plug.

4. Locate the cable clamp (#7, provided with the sign for most new sign installations). Tighten the cable clamp (#7) onto the isolation transformer secondary extension cord female plug at grade level. Ensure the cable clamp side labeled "TOP" is facing up. The cable clamp should nest on the under side of the floor flange (#2) and on top of the conduit (#8) that is flush with the surface of the concrete mounting pad. Insert the power cord plug (male) into the isolating transformer secondary extension cord plug (female). *Note: As required by the FAA, this step in conjunction with step 6 ensures that the power cord will be disconnected/unplugged in the event that the sign is knocked over.*



STANDARD SIGNS, INC.

9115 Freeway Drive, Macedonia, OH 44056

Phone: 800.258.1997 / 330.467.2030 Fax: 330.467.2076

www.lumacurve.com

Copyright 2012 by STANDARD SIGNS, INC. ALL RIGHT RESERVED.

To install (continued):

5. Lift the sign upright into place on the cement pad. Use the sign as a template to locate and mark mounting holes. Place sign off to one side and install anchor bolts. *Recommended anchor bolts: 3/8" x 5" for mode 2 signs, 1/2" x 5" for mode 3 signs.* Position sign over the anchor bolts and fasten the floor flanges to the cement pad with lockwashers and nuts. Temporarily loosen the slipfitter set screws (#5). With a pipe wrench, tighten the frangible couplings 1/4 - 1/2 turn into the Floor Flanges. (*Warning: Do not use the wrench above the shear groove.*) Ensure that the sign is level and the modules are aligned by sighting down the length of the tops. Tighten the slipfitter set screws using a socket wrench.

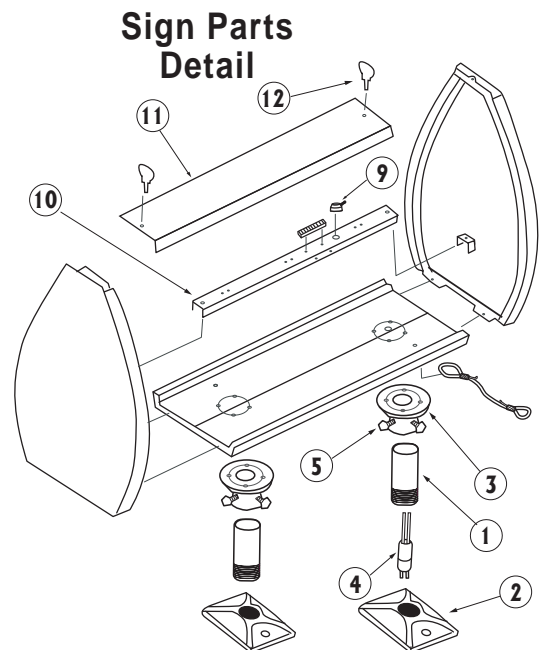
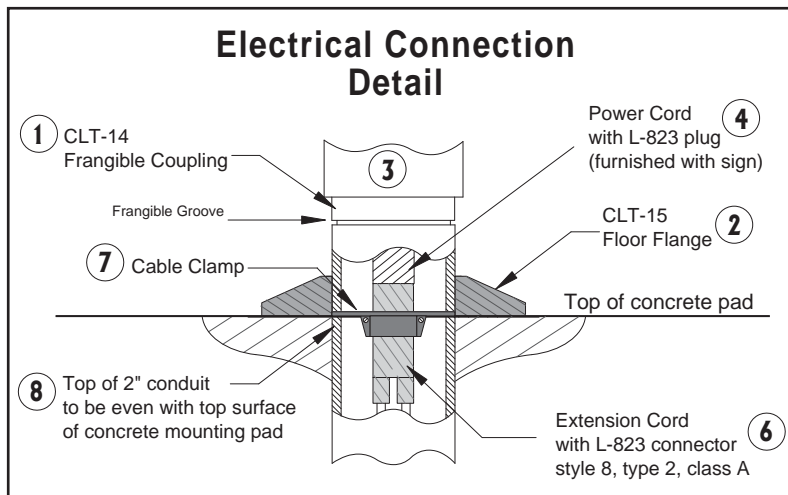
6. Locate the strain relief clamp (#9) on the inside of the sign. It can be found on the light bar (#10) on which the lamps are mounted. Remove the sign cover (#11) nearest to the nameplate on the end of the sign by unscrewing the two turn fasteners (#12) and then slide out the legend panels. Remove all slack in the power cord between the plug and the strain relief clamp, then tighten the set screw on the strain relief clamp. Extra cord can be coiled & placed in the bottom of the sign. (*As required by the FAA, this step in conjunction with Step 4 ensures that the power cord will be disconnected/unplugged in the event that the sign is knocked over.*)

7. Electrical adjustments are now required. Power supply settings have been factory set but must be rechecked with an RMS meter once installed in the airfield environment. Please refer to the "Parts & Electrical Information" sheet for the lighting system being installed. Follow the "Installation" portion of those directions to ensure that the electrical settings are correct.

8. Replace any covers removed.

Note: sometimes legend panels seem to obstruct the re-installation of the top covers.

If panels are not engaging on the underside of the top cover into the gasketed channel, please try the following: Engage the turn fasteners loosely. With the palms of your hands, slap or "pop" the centers of the opposing panels inward simultaneously. The internal pressure should apply a force that allows the top to drop in to place. Apply pressure downward on the top. If the technique worked and the panels are engaged properly, the resistance (or obstruction) to tightening the turn fasteners should be eliminated.

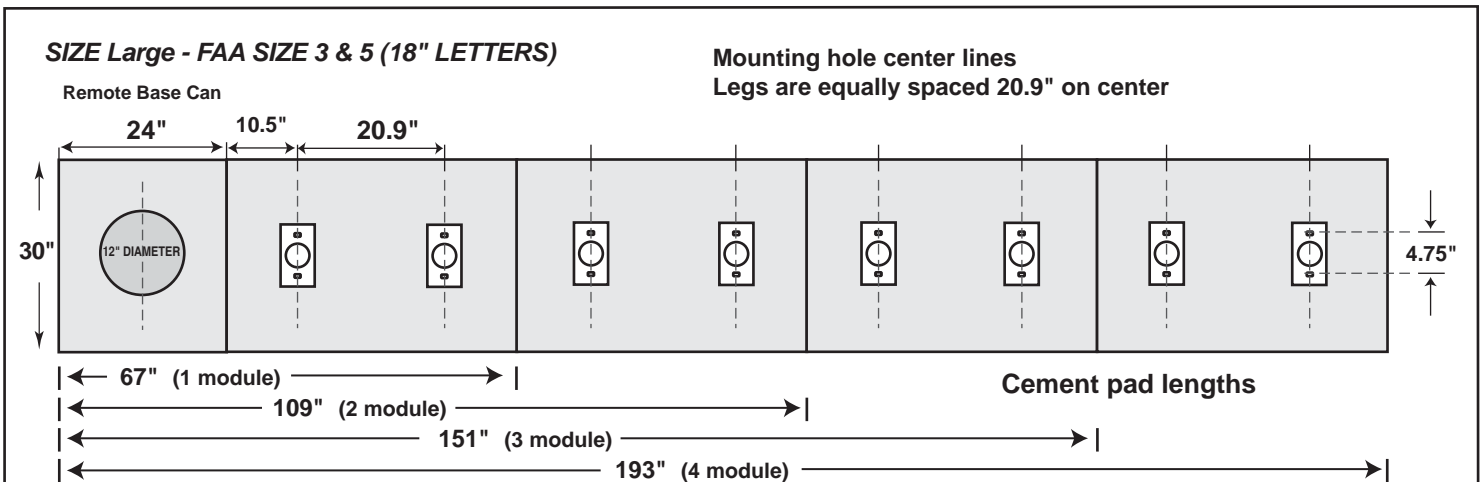
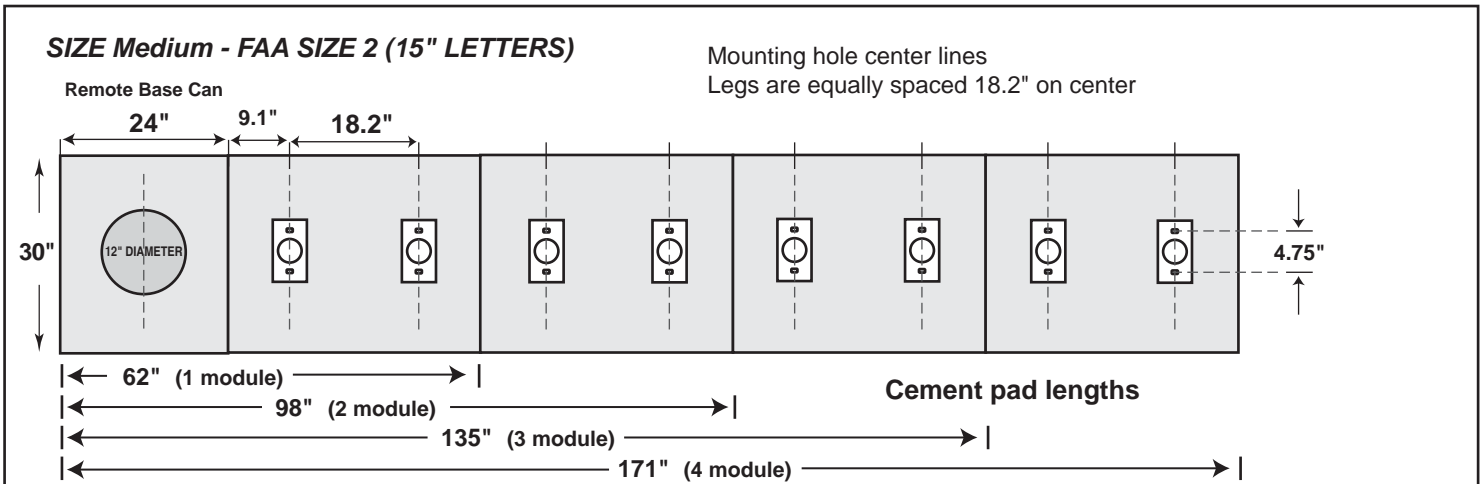
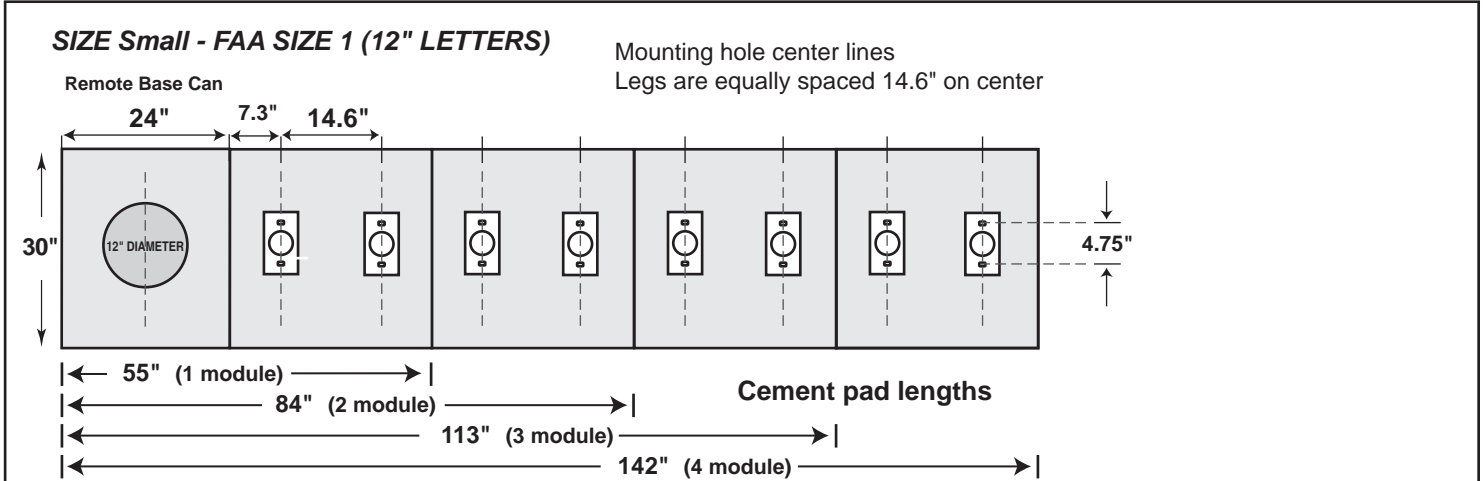




Installation Instructions

Pad dimensions & mounting locations
Sign Sizes: 1, 2, 3 & 5

Standard Installation - "Inner Mount" (For Mode 3 or "Outer Mount" see separate instructions)

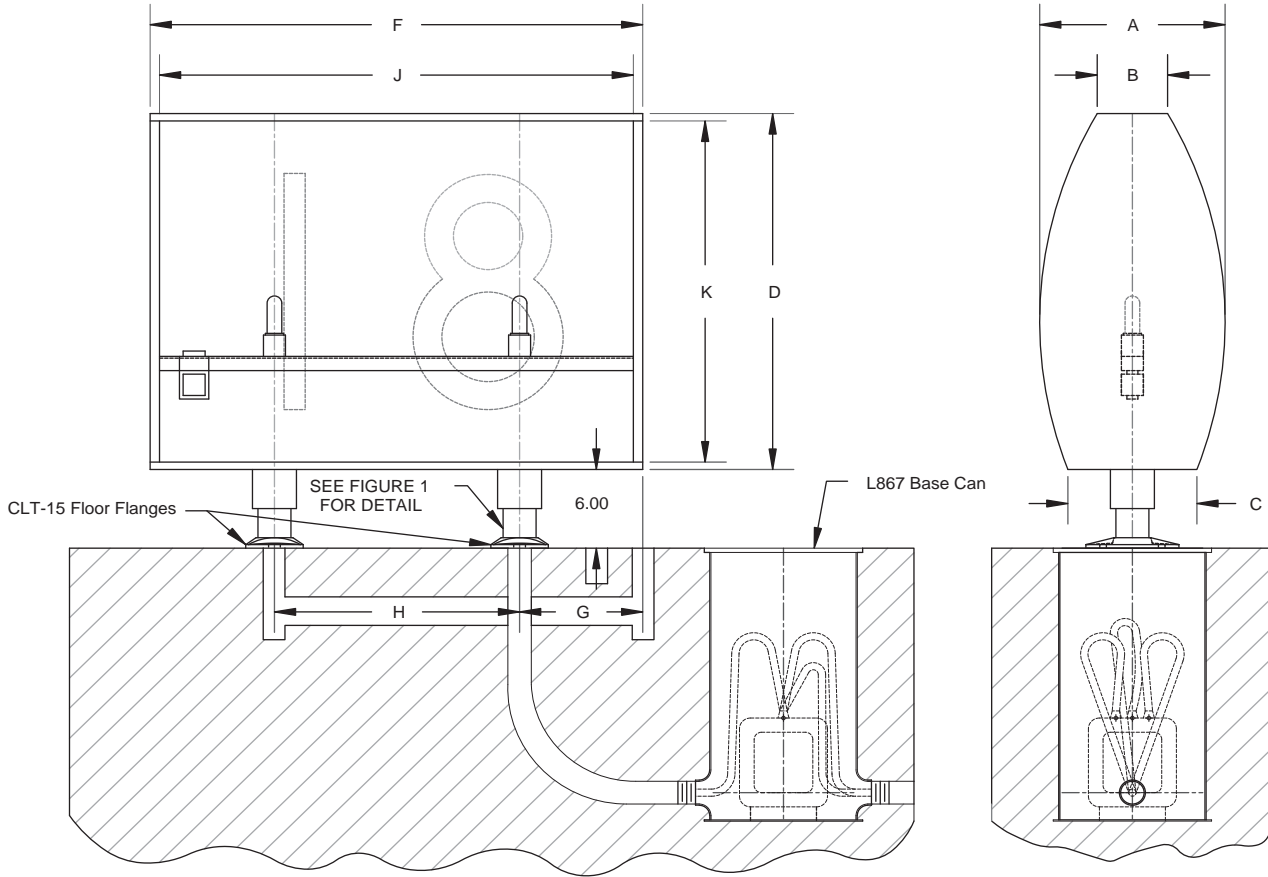


Above references recommended cement pad dimensions and mounting bolt locations for Lumacurve signs

*Recommended concrete thickness : 6" - 8"

*Recommended anchor bolts: 3/8" diameter (minimum) with LOCK washers.

For Mode 3 signs see supplemental Mode 3 "Outer Mount" instructions.



Size	1	2	3
Letter Ht.	12.0 (305)	15.0 (381)	18.0 (457)
Lamps	1	2	2*
A	13.2 (335)	14.4 (366)	15.8 (401)
B	6.0 (152)	6.0 (152)	6.0 (152)
C	11.0 (280)	11.0 (280)	11.0 (280)
D	19.3 (490)	25.3 (643)	31.3 (795)
F	29.4 (747)	36.6 (930)	42.0 (1067)
G	7.4 (188)	9.2 (234)	10.6 (269)
H	14.6 (371)	18.2 (462)	20.9 (531)
J	27.8 (706)	35.0 (889)	40.4 (1026)
K	18.0 (457)	24.0 (610)	30.0 (762)

Note: Dimensions are in English with metric equivalents in parenthesis

*Note: Older size 3 lighting systems had 3 lamps per module prior to 2009.

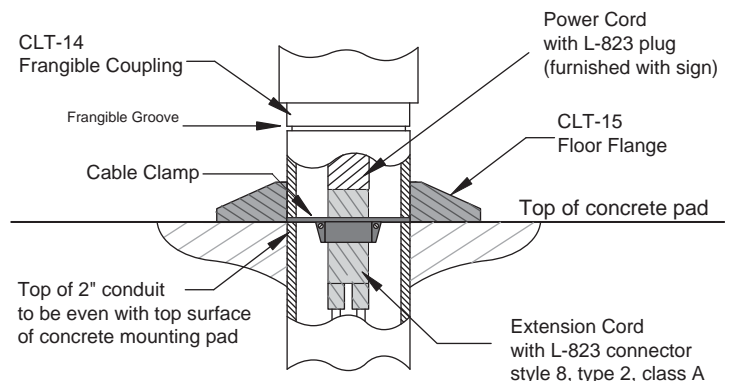
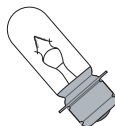


FIGURE 1

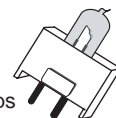


Parts & Electrical Information for Taxiway & Runway Signs



Style 5 lighting systems

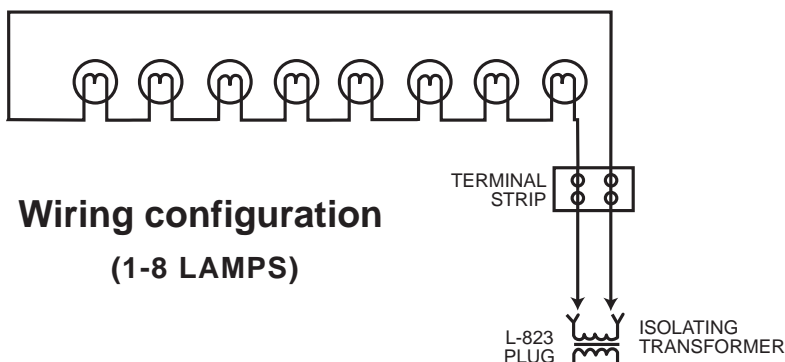
T10P 6.6A/45W incandescent & 45W/EXM quartz lamps



Certified to current FAA Advisory Circular 150/5345-44

Specification for Runway and Taxiway Signs

View our FAA Certificate of Conformance



Style 5 signs are for operation on a constant 5.5A circuit and have no brightness control transformer installed.

Traditional Lighting Systems, Style 5										
Sign Size & Module Length	Lamps	FAA Style 5 (Constant 5.5A) 45W/T10P				FAA Style 5 (Constant 5.5A) 45W EXM Qtz				
		Cat #	Isol Xfmr	Max VA	Pwr Factr	Cat #	Isol Xfmr	Max VA	Pwr Factr	
Size 1, 1-mod	1	S1P	45W	33	0.99	S1Q	45W	39	0.99	
	2-mod	2	S2P	100W	65	0.99	S2Q	100W	71	0.99
	3-mod	3	S3P	100W	93	0.99	S3Q	100W	101	0.99
	4-mod	4	S4P	200W	127	0.99	S4Q	200W	141	0.99
Size 2, 1-mod	2	M1P	100W	65	0.99	M1Q	100W	71	0.99	
	2-mod	4	M2P	200W	127	0.99	M2Q	200W	141	0.99
	3-mod	6	M3P	200W	181	0.98	M3Q	200W	192	0.98
	4-mod	8	M4P	300W	236	1.00	M4Q	300W	261	1.00
Size 3, 1-mod	2	L1P	100W	65	0.99	L1Q	100W	71	0.99	
	2-mod	4	L2P	200W	127	0.99	L2Q	200W	141	0.99
	3-mod	6	L3P	200W	181	0.98	L3Q	200W	192	0.98
	4-mod	8	L4P	300W	236	1.00	L4Q	300W	261	1.00
Size 5, 1-mod	2	DL1P	100W	65	0.99	DL1Q	100W	71	0.99	
Size 4, 1-mod	4	D1P	200W	127	0.99	D1Q	200W	141	0.99	



Only Lumacurves are backed by a

3 Year Warranty !

Contact customer service for details.

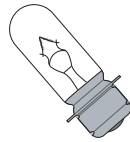
Copyright 2012 by STANDARD SIGNS, INC. ALL RIGHT RESERVED.

STANDARD SIGNS, INC.

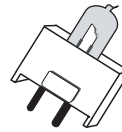
9115 Freeway Drive, Macedonia, OH 44056
Phone: 800.258.1997 / 330.467.2030 Fax: 330.467.2076
www.lumacurve.com

LUMACURVE PARTS LIST

Style 5 Lighting Systems



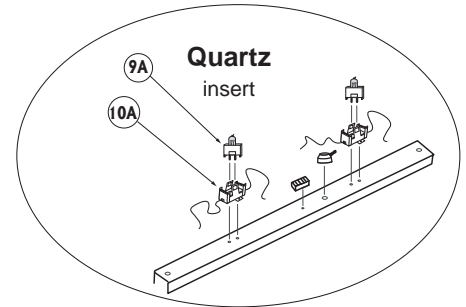
Incandescent
T10P 6.6A/45W lamps
(Shown below)



Quartz
45W/EXM lamps
(See Quartz insert)



Certified to current FAA Advisory Circular 150/5345-44
Specification for Runway and Taxiway Signs
View our FAA Certificate of Conformance

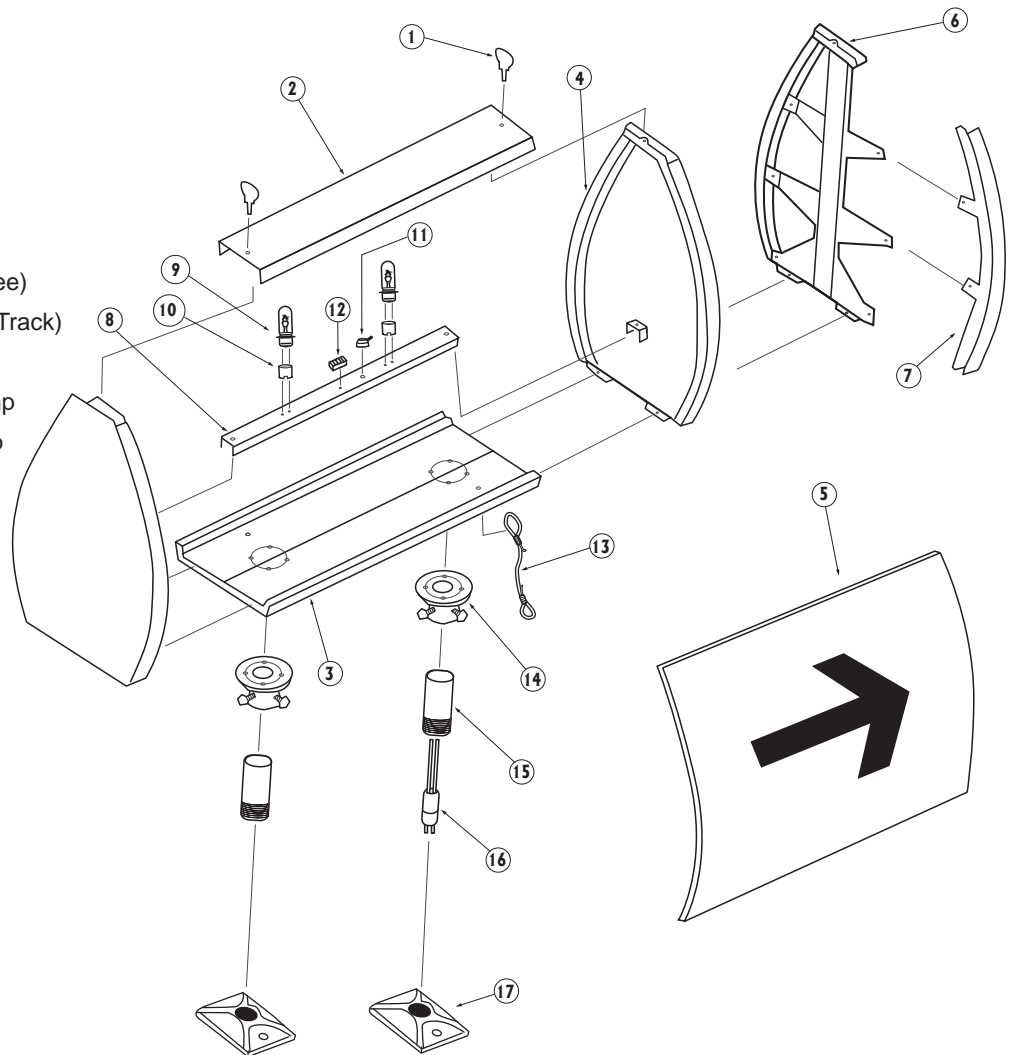


Experience our exclusive "Wait-Less" service!

Call by 10AM, complete signs & parts ship same day!

No extra charge! Call 800.258.1997

Item	Description
1.	340/345 Turn Fasteners
2.	*CLT-2 Cover
3.	*CLT-3 Base
4.	*CLT-4 End Panel
5.	*CLT-5 Legend Panel ¹
6.	*CLT-6 Multi-Module Insert (Tree)
7.	*7-A Face Insert Channel ¹ (Track)
8.	*8-A Light Bar
9.	6.6/T10P 45W Incandescent Lamp
9A.	45W EXM 45W EXM Quartz Lamp
10.	400 Prefocus socket
10A.	501 Quartz socket
11.	480 Cable Clamp
12.	420 Terminal Strip (section)
13.	CLT-19 Tether
14.	130 Slipfitter
15.	*140 6" Frangible Coupling
16.	430 Cord & Plug
17.	15 Floor Flange



To help in placing your order:

*Prefix part number with one of the following sign sizes: "S" (small/ size 1), "M" (medium/ size 2), "L" (large/ size 3 & 5)

¹ Specify one of the following sign types: L-858Y ("Y"ellow), L-858R ("R"ed), L-858L ("L"ocation), or Blank/ Black